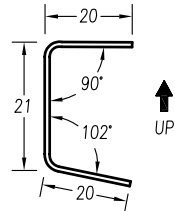


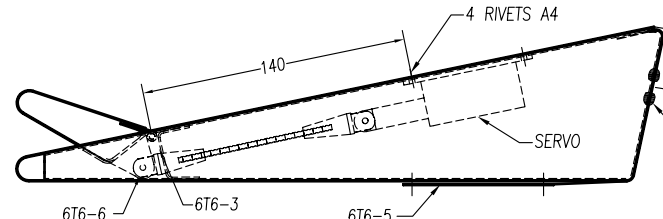
L=895
dl=163

1 **3 TRIM TAB SKIN**
t=.016" 6061-T6 (1 REQ'D)

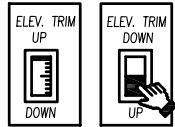


L=940
dl=58

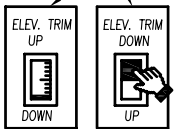
3 **ELEVATOR CUTOUT CHANNEL**
t=.025" 6061-T6 (1 REQ'D)



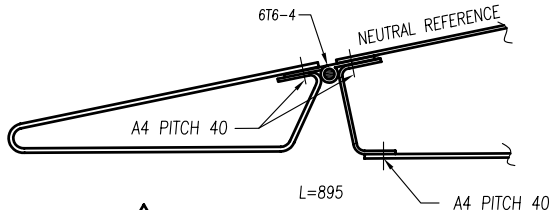
GROMMET QTY=1
AN931-4-7
1/4" ID
7/16" HOLE IN SKIN



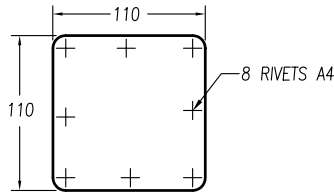
INSTRUMENT PANEL PLACARDS
NOTE: FOR TRIM TAB SWITCH, USE OPPOSITE PLACARD AS TRIM TAB INDICATOR



TRIM TAB IN APPROACH CONFIGURATION

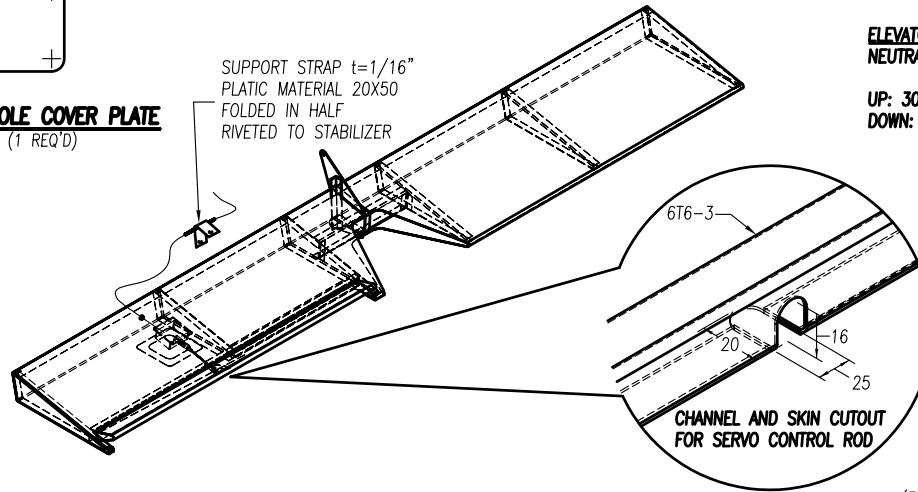


4 **PIANO HINGE**
MS20257-4 (1 REQ'D)
1-1/2" OPEN LENGTH



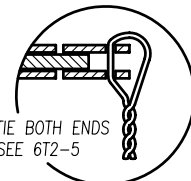
5 **ACCESS HOLE COVER PLATE**
t=.025" 6061-T6 (1 REQ'D)

SUPPORT STRAP t=1/16"
PLATIC MATERIAL 20X50
FOLDED IN HALF
RIVETED TO STABILIZER



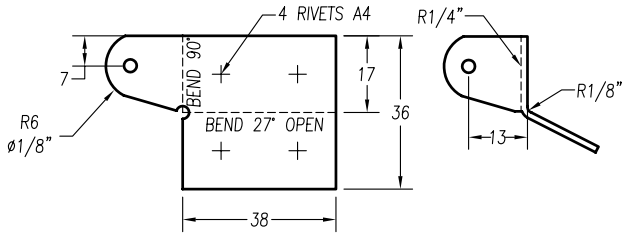
CHANNEL AND SKIN CUTOUT FOR SERVO CONTROL ROD

SAFETY TIE BOTH ENDS OF PIN SEE 6T2-5

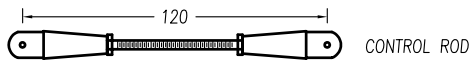


COLOR CONNECTION CHART
(FOR FUTURE REFERENCE TO CONNECT SWITCH)

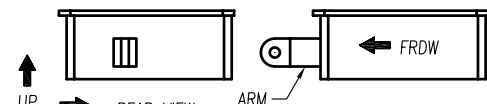
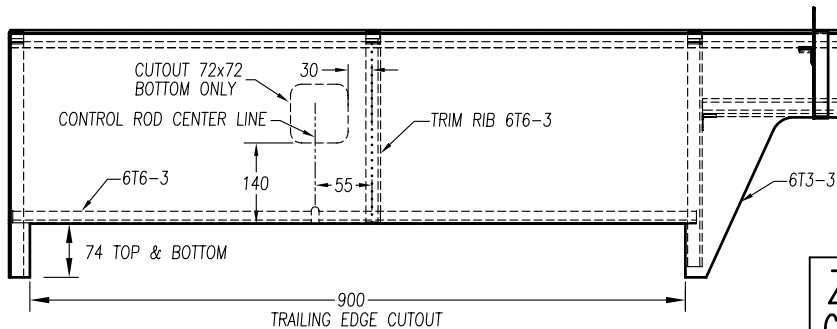
| SERVO WIRES | BELTON 5 WIRES |
|--------------|----------------|
| WHITE | WHITE |
| WHITE | BLACK |
| WHITE/ORANGE | BROWN |
| WHITE/GREEN | GREEN |
| WHITE/BLUE | RED |



6 **TRIM TAB HORN ANGLE**
t=.063" 6061-T6 (1 REQ'D)



CONTROL ROD



UP
1/8
REAR VIEW

SERVO
(1 REQ'D)

ELECTRIC TRIM SYSTEM
WWW.RAYALLENCOMPANY.COM
P/N T2-7A-TS
.7" TRAVEL

ZODIAC
CH 601 XL

RECESSED ELEVATOR TRIM TAB

6-T-6