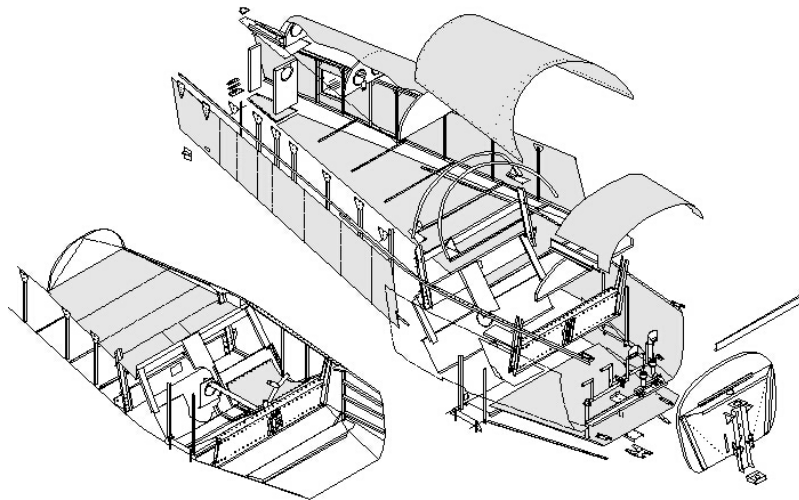


PHOTO ASSEMBLY GUIDE: FUSELAGE



CONTENTS

<u>SECTION</u>	<u>DATE</u>	<u>DESCRIPTION</u>
6-B-0	12/10/03	Title Page
6-B-1	02/18/03	Fuselage Bottom/ Horizontal Tail Frames
6-B-2	12/10/03	Rear Bottom Longerons/ Rear Fuselage Members
6-B-3	02/18/03	Rear Side Skins/ Rear Fuselage Members
6-B-4	02/18/03	Rear Fuselage Riveting
6-B-5	02/18/03	Rear Frame Assembly/ Gear Channel
6-B-6	02/18/03	Firewall & Stiffener/ Engine Mount Fittings
6-B-7	12/10/03	Firewall Riveting/ Firewall Front & Rear Stiffeners
6-B-8	02/18/03	Nose Gear Upper Bearing
6-B-9	02/18/03	Rudder Pedal/ Toe Brakes
6-B-10	02/18/03	Front Floor Skin/ Center Wing Spar
6-B-11	02/18/03	Upper Front Longerons/ Fuselage Side Skins
6-B-12	02/18/03	Fuselage Bulkheads
6-B-13	02/18/03	Wing Jig/ Center Wing Spar Uprights
6-B-14	02/18/03	Joining Fuselage Assemblies/ Main Gear Attachment
6-B-15	02/18/03	Forward Fuselage Stiffeners/ Front Seat Panel
6-B-16A	02/18/03	Seat Back Support
6-B-16B	02/18/03	Baggage Panel
6-B-16C	02/18/03	Longeron Doubler
6-B-17	12/10/03	Control Stick/ Torque Tube
6-B-18	02/18/03	Arm Rest/ Seat Bottom/ Seat Belt Attachment
6-B-21A	12/10/03	Shoulder Harness Attachment
6-B-21B	12/10/03	Fuselage Top Skins

NOTICE: This photo assembly guide has been written and published strictly for informational purposes to aid in the construction of the ZODIAC kit aircraft. It has been prepared as a guide to facilitate the assembly of ZODIAC kit aircraft. It is published to be used with the ZODIAC CH 601 Drawings & Manuals. The photos are used for general identification only, and are not to be taken to represent technical drawings. You should not consider the educational material in the manual to be the practice of general aviation nor is it intended for this guide to be a complete account of sheet metal aircraft technology: it is limited to the scope of the assembly of ZODIAC kit aircraft. This guide is not intended to replace, substitute or supersede any technical information contained in the ZODIAC Drawings and Manuals, Newsletter Updates, or any Federal Aviation Administration regulations. Information contained in this photo assembly guide has been obtained by Zenith Aircraft Company from sources believed to be reliable, however, we cannot guarantee the accuracy or completeness of any information published herein and we shall not be responsible for any errors, omissions, or potential damages arising out of use of this information.