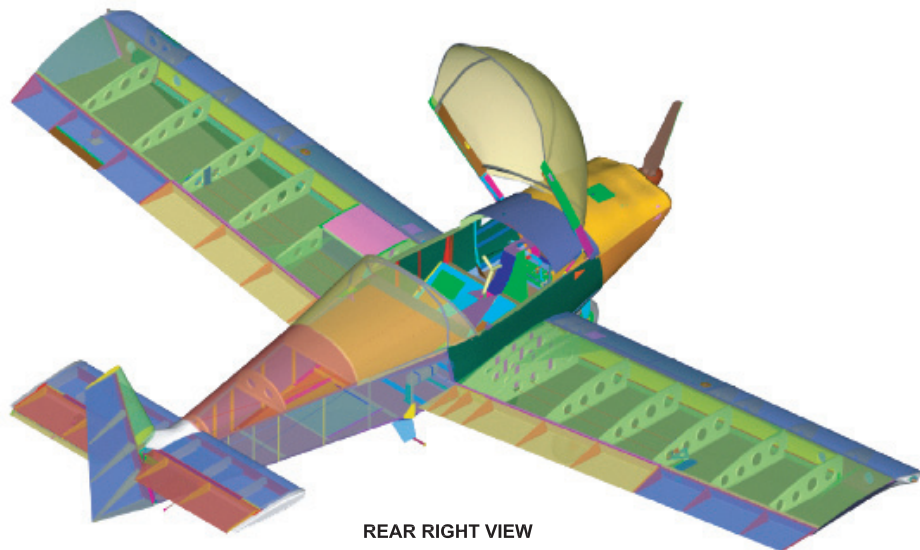
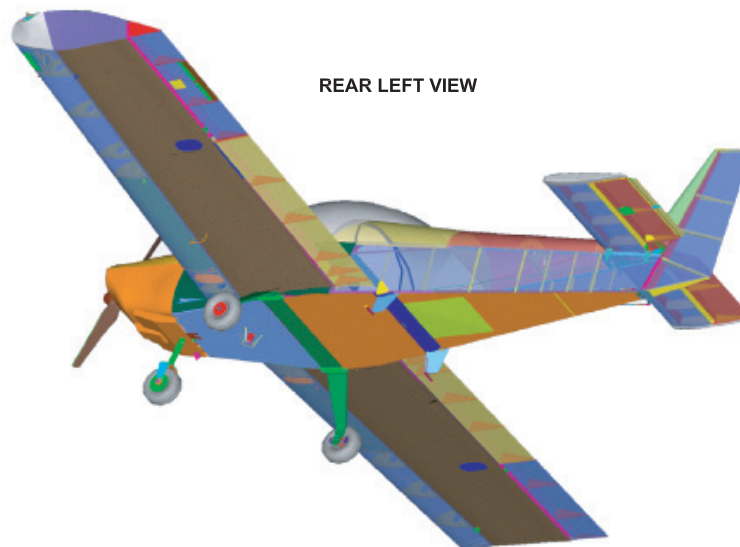


FRONT RIGHT VIEW



REAR RIGHT VIEW



REAR LEFT VIEW

## ZODIAC XL Illustrated Parts Catalog

To purchase individual parts, see:  
[www.zenithair.com/kit/601](http://www.zenithair.com/kit/601)

This Parts Catalog is a draft version, and is not a replacement of the Drawings and Manuals  
All parts, assemblies, and descriptions are subject to change without notice.

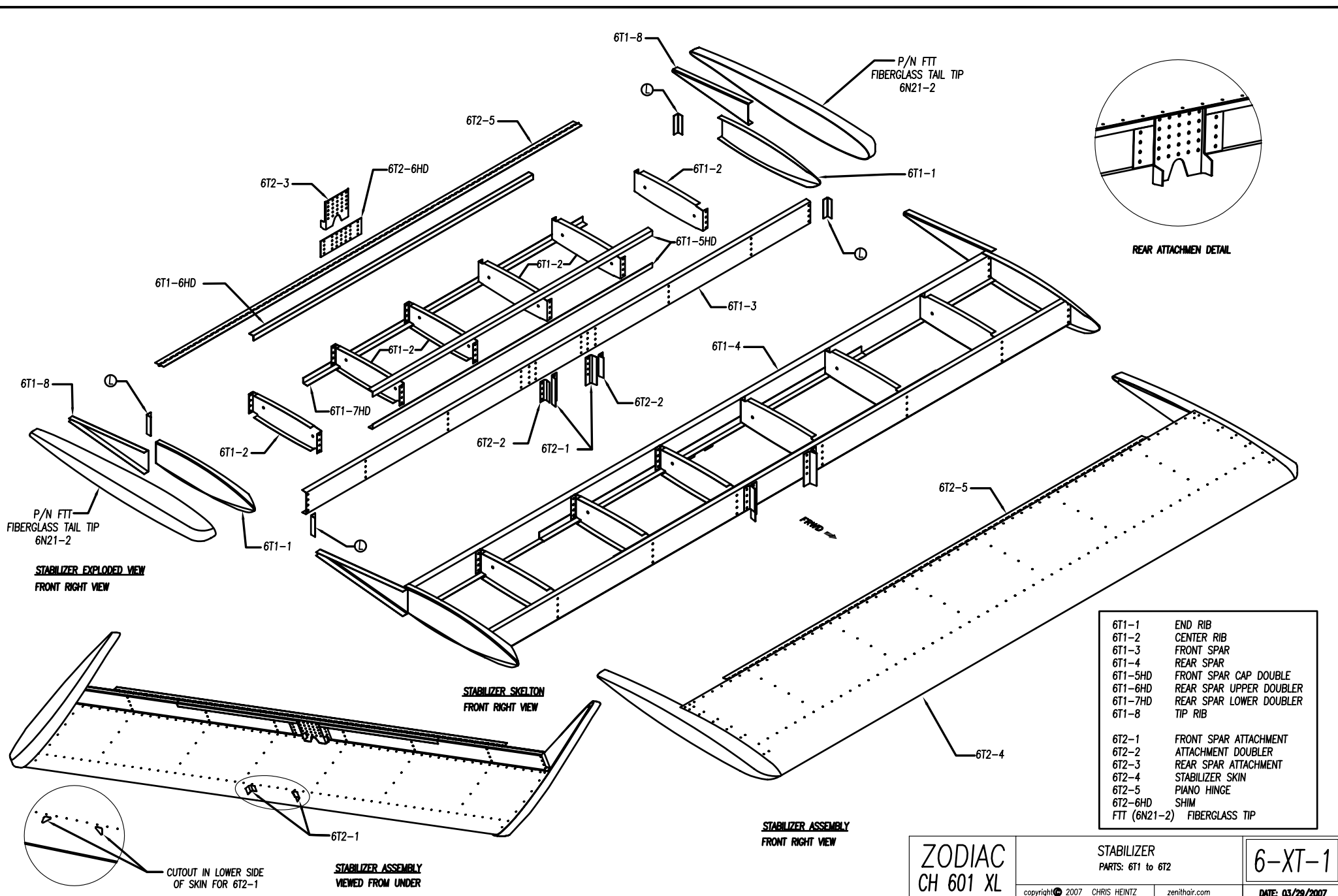
ZODIAC  
CH 601 XL

ZODIAC XL  
Illustrated Parts Catalog

copyright© 2007 CHRIS HEINTZ | [zenithair.com](http://zenithair.com)

6-XL

DATE: 03/29/2007

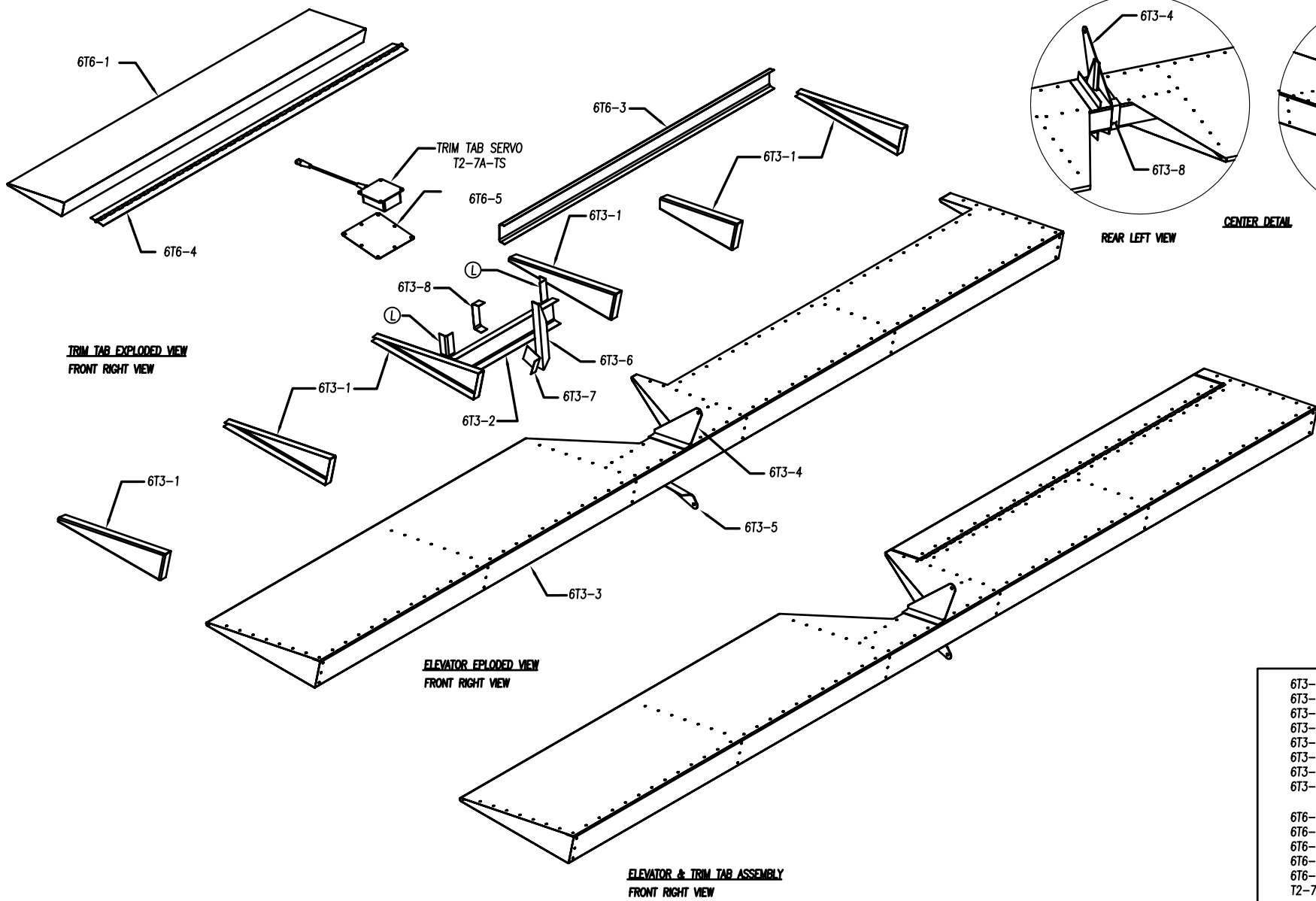


6T1-1	END RIB
6T1-2	CENTER RIB
6T1-3	FRONT SPAR
6T1-4	REAR SPAR
6T1-5HD	FRONT SPAR CAP DOUBLE
6T1-6HD	REAR SPAR UPPER DOUBLER
6T1-7HD	REAR SPAR LOWER DOUBLER
6T1-8	TIP RIB
6T2-1	FRONT SPAR ATTACHMENT
6T2-2	ATTACHMENT DOUBLER
6T2-3	REAR SPAR ATTACHMENT
6T2-4	STABILIZER SKIN
6T2-5	PIANO HINGE
6T2-6HD	SHIM
FTT (6N21-2)	FIBERGLASS TIP

ZODIAC  
CH 601 XL

STABILIZER  
PARTS: 6T1 to 6T2  
copyright © 2007 CHRIS HEINTZ zenithair.com

6-XT-1  
DATE: 03/29/2007



6T3-1	ELEVATOR RIB
6T3-2	ELEVATOR CENTER CHANNEL
6T3-3	ELEVATOR SKIN
6T3-4	UPPER ELEVATOR HORN
6T3-5	LOWER ELEVATOR HORN
6T3-6	ELEVATOR HORN DOUBLER
6T3-7	ANGLE
6T3-8	BENT STRIP
6T6-1	TRIM TAB SKIN
6T6-3	ELEVATOR CUTOUT CHANNEL
6T6-4	PIANO HINGE
6T6-5	COVER PLATE
6T6-6	TRIM TAB HORN ANGLE
T2-7A-TS	SERVO

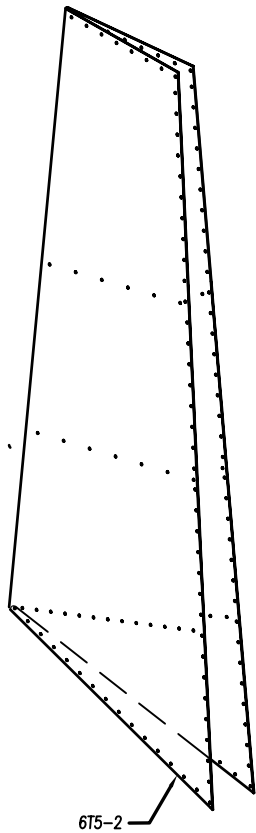
ZODIAC  
CH 601 XL

ELEVATOR  
PARTS: 6T3

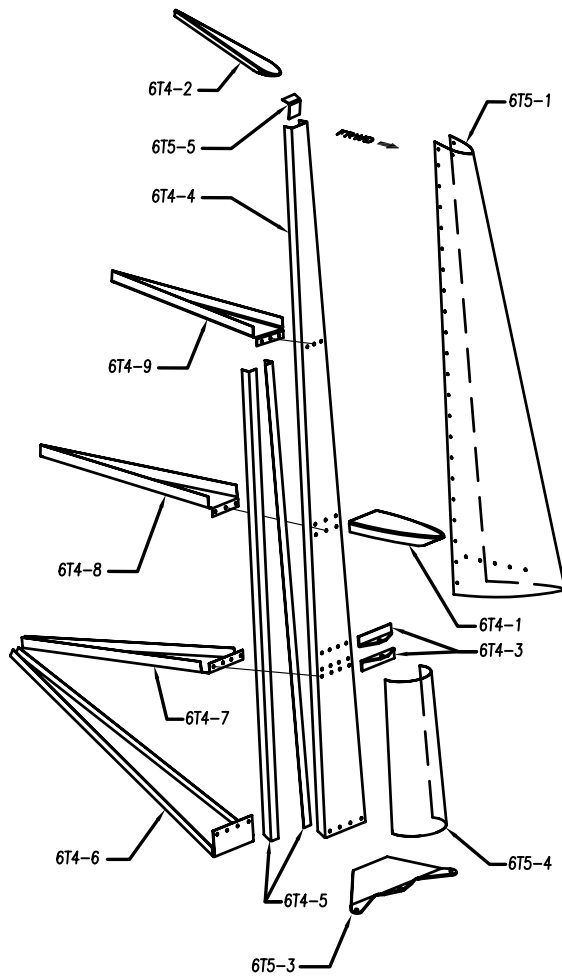
6-XT-2

copyright © 2007 CHRIS HEINTZ zenithair.com

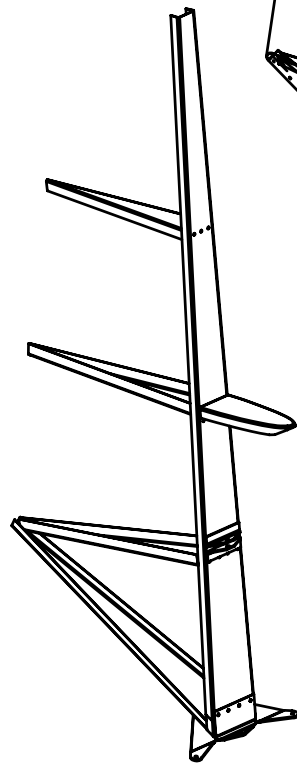
DATE: 03/29/2007



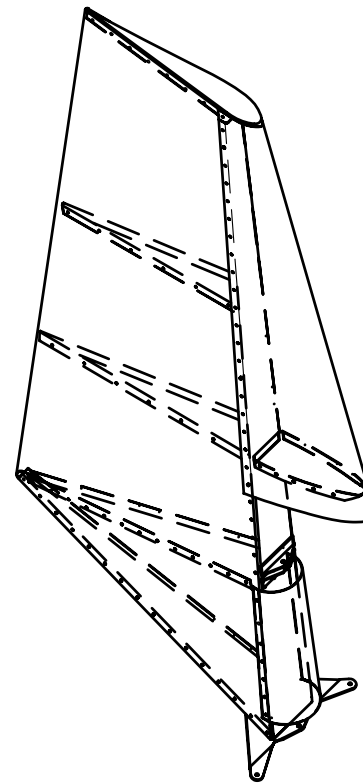
6T5-2



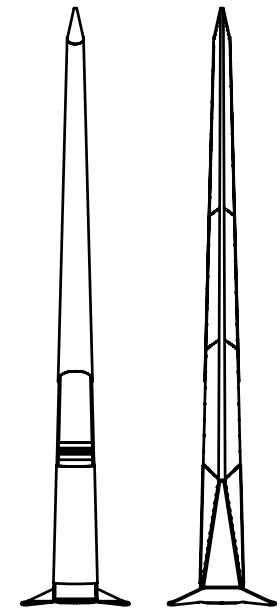
**EXPLODED VIEW**  
FRONT RIGHT VIEW



**RUDDER SKELETON**  
FRONT LEFT VIEW



**FRONT RIGHT VIEW**



**FRONT VIEW**

**REAR VIEW**

6T4-1	NOSE RIB
6T4-2	TIP RIB
6T4-3	UPPER BEARING
6T4-4	VERTICAL TAIL SPAR
6T4-5	DOUBLER ANGLE
6T4-6	REAR RIB #1
6T4-7	REAR RIB #2
6T4-8	REAR RIB #3
6T4-9	REAR RIB #4
6T5-1	LEADING EDGE SKIN
6T5-2	TRAILING EDGE SKIN
6T5-3	VERTICAL TAIL HORN
6T5-4	FAIRING
6T5-5	BENT STRIP

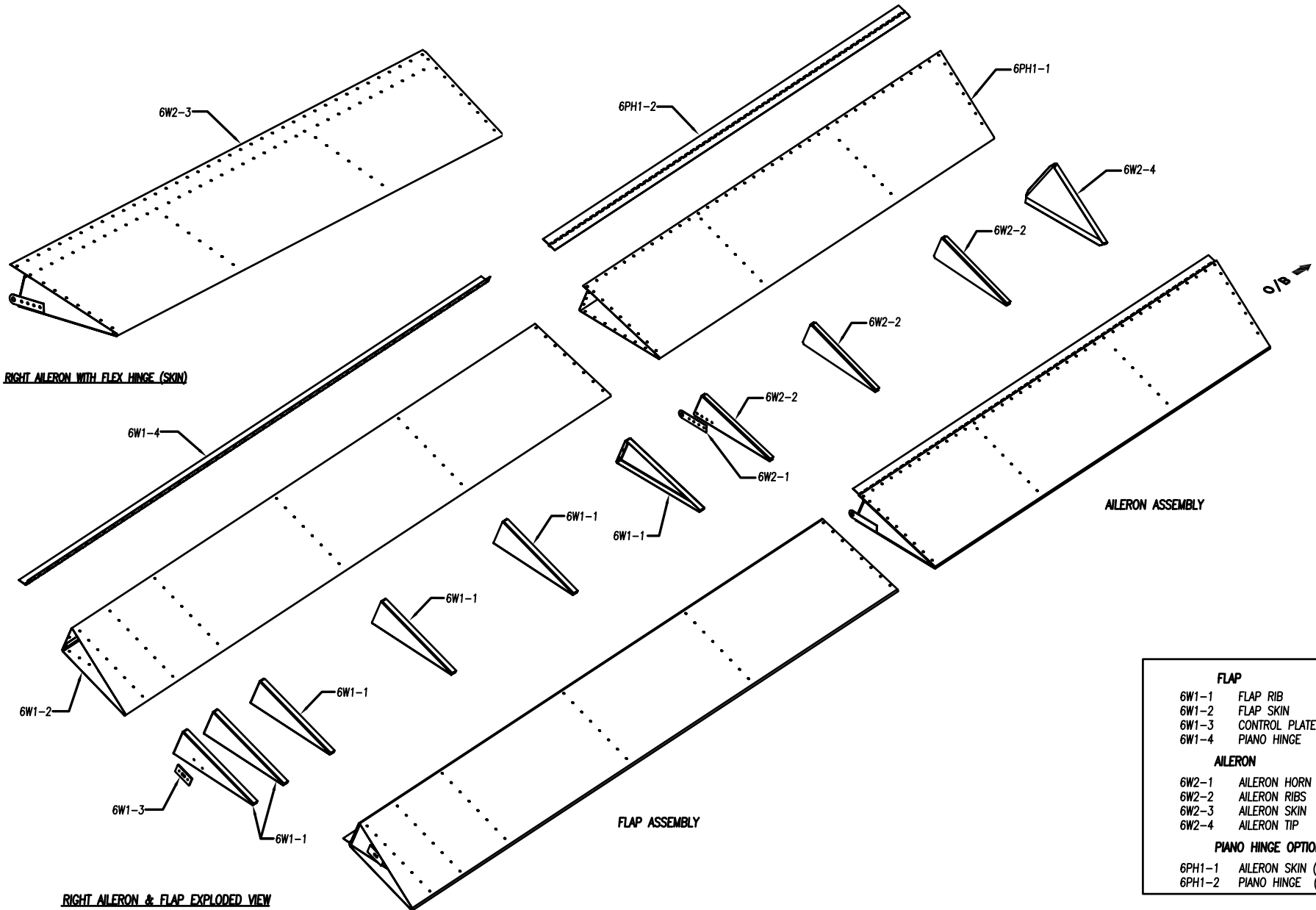
**ZODIAC**  
CH 601 XL

**RUDDER**  
PARTS: 6T4 to 6T6 (SEE 6XT-2)

**6-XT-3**

copyright © 2007 CHRIS HEINTZ zenithair.com

DATE: 03/29/2007



RIGHT AILERON WITH FLEX HINGE (SKIN)

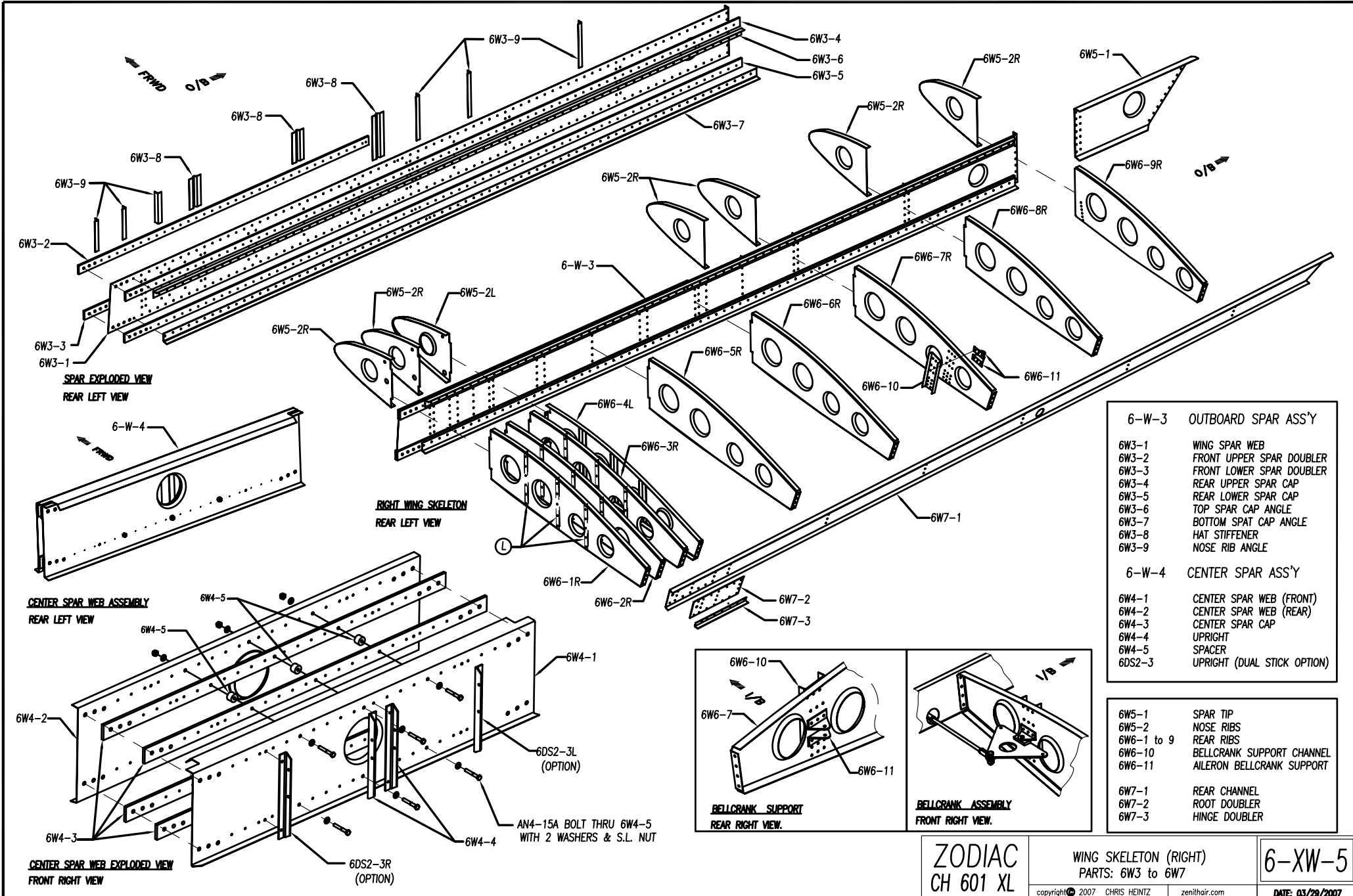
RIGHT AILERON & FLAP EXPLODED VIEW  
REAR LEFT VIEW

FLAP	
6W1-1	FLAP RIB
6W1-2	FLAP SKIN
6W1-3	CONTROL PLATE
6W1-4	PIANO HINGE
AILERON	
6W2-1	AILERON HORN
6W2-2	AILERON RIBS
6W2-3	AILERON SKIN
6W2-4	AILERON TIP
PIANO HINGE OPTION	
6PH1-1	AILERON SKIN (OPTION)
6PH1-2	PIANO HINGE (OPTION)

ZODIAC  
CH 601 XL

FLAP & AILERON  
PARTS: 6W1 to 6W2

6-XW-4



- 6-W-3 OUTBOARD SPAR ASS'Y
- 6W3-1 WING SPAR WEB
- 6W3-2 FRONT UPPER SPAR DOUBLER
- 6W3-3 FRONT LOWER SPAR DOUBLER
- 6W3-4 REAR UPPER SPAR CAP
- 6W3-5 REAR LOWER SPAR CAP
- 6W3-6 TOP SPAR CAP ANGLE
- 6W3-7 BOTTOM SPAR CAP ANGLE
- 6W3-8 HAT STIFFENER
- 6W3-9 NOSE RIB ANGLE
- 6-W-4 CENTER SPAR ASS'Y
- 6W4-1 CENTER SPAR WEB (FRONT)
- 6W4-2 CENTER SPAR WEB (REAR)
- 6W4-3 CENTER SPAR CAP
- 6W4-4 UPRIGHT
- 6W4-5 SPACER
- 6DS2-3 UPRIGHT (DUAL STICK OPTION)

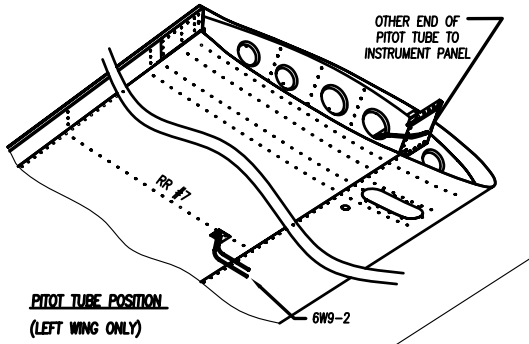
- 6W5-1 SPAR TIP
- 6W5-2 NOSE RIBS
- 6W6-1 to 9 REAR RIBS
- 6W6-10 BELLCRANK SUPPORT CHANNEL
- 6W6-11AILERON BELLCRANK SUPPORT
- 6W7-1 REAR CHANNEL
- 6W7-2 ROOT DOUBLER
- 6W7-3 HINGE DOUBLER

AN4-15A BOLT THRU 6W4-5 WITH 2 WASHERS & S.L. NUT

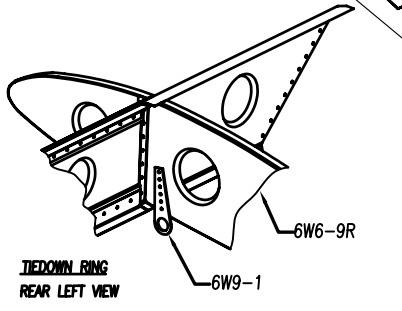
ZODIAC  
CH 601 XL

WING SKELETON (RIGHT)  
PARTS: 6W3 to 6W7  
copyright © 2007 CHRIS HEINTZ zenithair.com

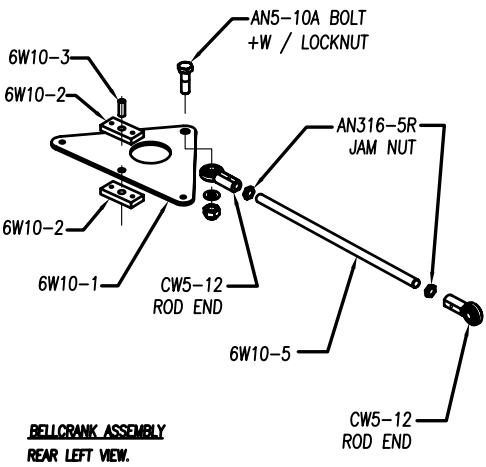
6-XW-5  
DATE: 03/29/2007



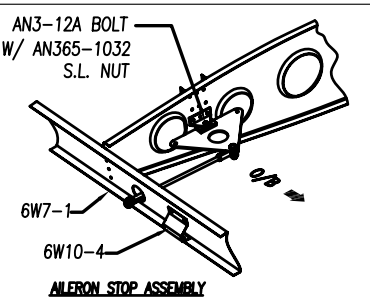
**PITOT TUBE POSITION**  
(LEFT WING ONLY)



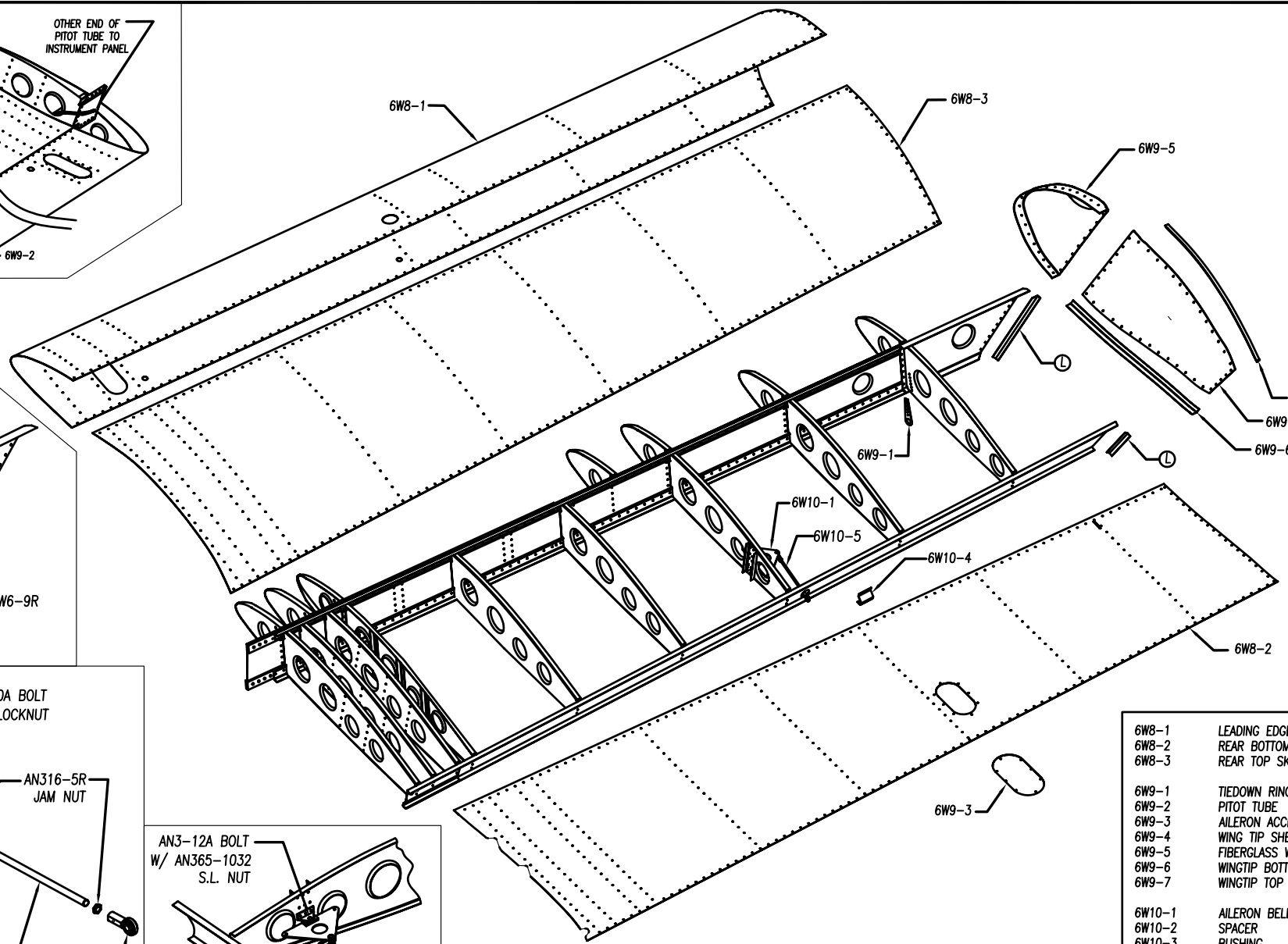
**TIEDOWN RING**  
REAR LEFT VIEW



**BELLCRANK ASSEMBLY**  
REAR LEFT VIEW.



**AILERON STOP ASSEMBLY**



**RIGHT WING EXPLODED VIEW**  
REAR LEFT VIEW

6W8-1	LEADING EDGE SKIN
6W8-2	REAR BOTTOM SKIN
6W8-3	REAR TOP SKIN
6W9-1	TIEDOWN RING
6W9-2	PITOT TUBE
6W9-3	AILERON ACCESS COVER
6W9-4	WING TIP SHEET
6W9-5	FIBERGLASS WING TIP
6W9-6	WINGTIP BOTTOM ANGLE
6W9-7	WINGTIP TOP ANGLE
6W10-1	AILERON BELLCRANK
6W10-2	SPACER
6W10-3	BUSHING
6W10-4	AILERON STOP
6W10-5	THREADED STEEL ROD

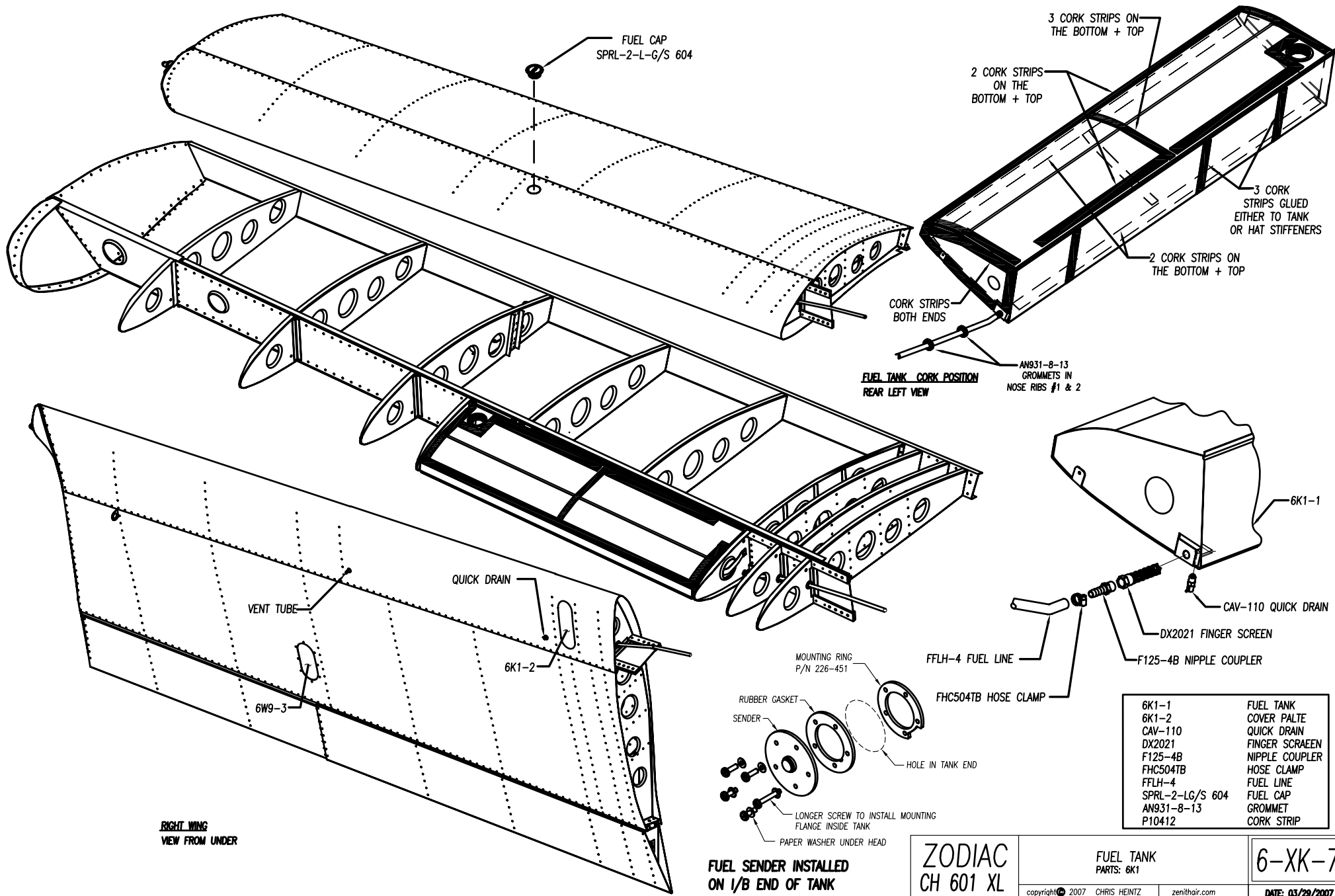
**ZODIAC**  
CH 601 XL

WING SKINS  
PARTS: 6W8 to 6W10

**6-XW-6**

copyright © 2007 CHRIS HEINTZ zenithair.com

DATE: 03/29/2007



RIGHT WING  
VIEW FROM UNDER

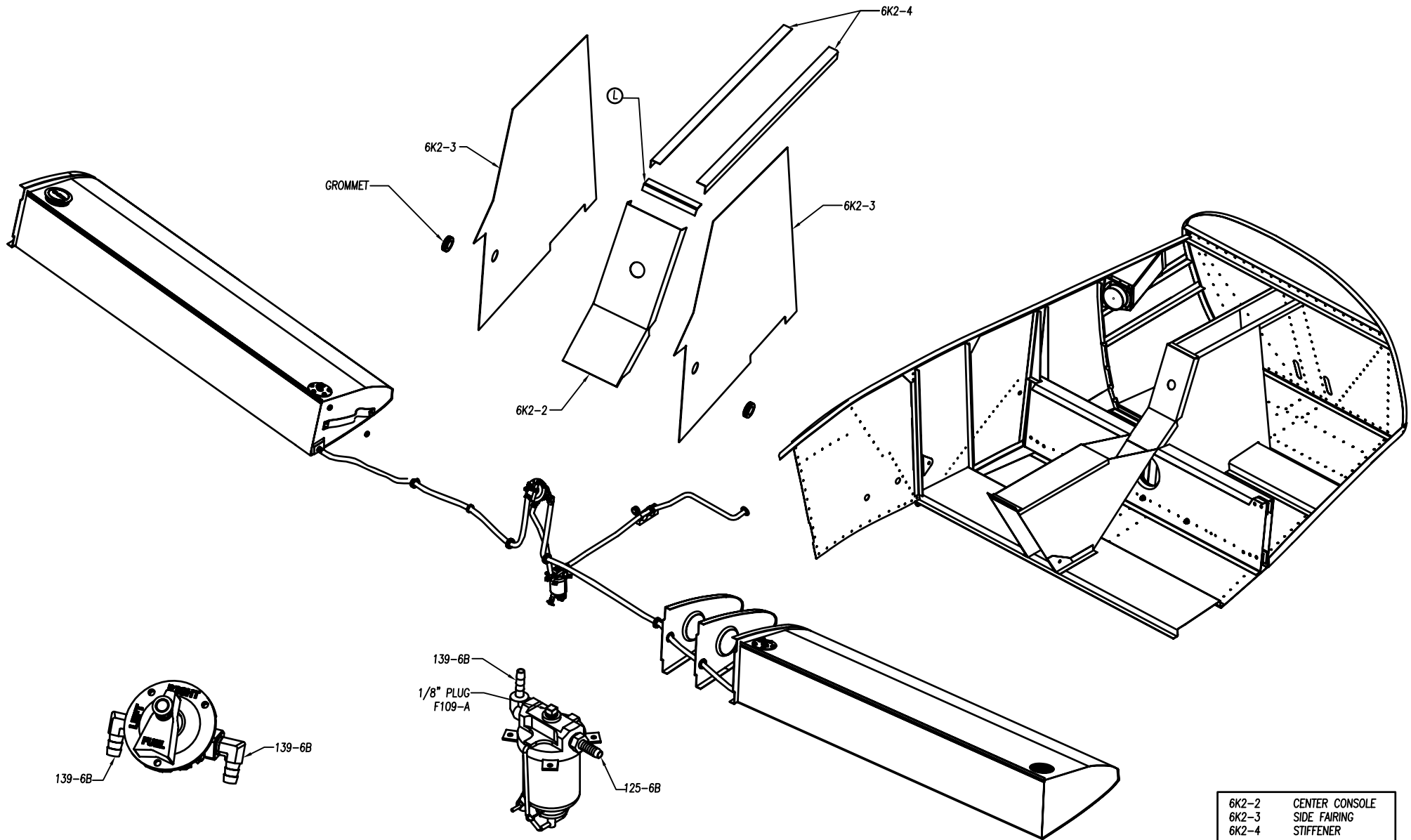
FUEL SENDER  
ON 1/8 END OF TANK

ZODIAC  
CH 601 XL

6K1-1	FUEL TANK COVER PALTE
6K1-2	QUICK DRAIN
CAV-110	FINGER SCRAEEN
DX2021	NIPPLE COUPLER
F125-4B	HOSE CLAMP
FHC504TB	FUEL LINE
FFLH-4	FUEL CAP
SPRL-2-LG/S 604	GROMMET
AN931-8-13	GROMMET
P10412	CORK STRIP

FUEL TANK PARTS: 6K1		6-XK-7
copyright © 2007	CHRIS HEINTZ	
zenithair.com		DATE: 03/29/2007





6K2-2	CENTER CONSOLE
6K2-3	SIDE FAIRING
6K2-4	STIFFENER

3 WAY FUEL SELECTOR  
FS20X2-F

GASCOLAOR  
P/N: A1058-T

ZODIAC  
CH 601 XL

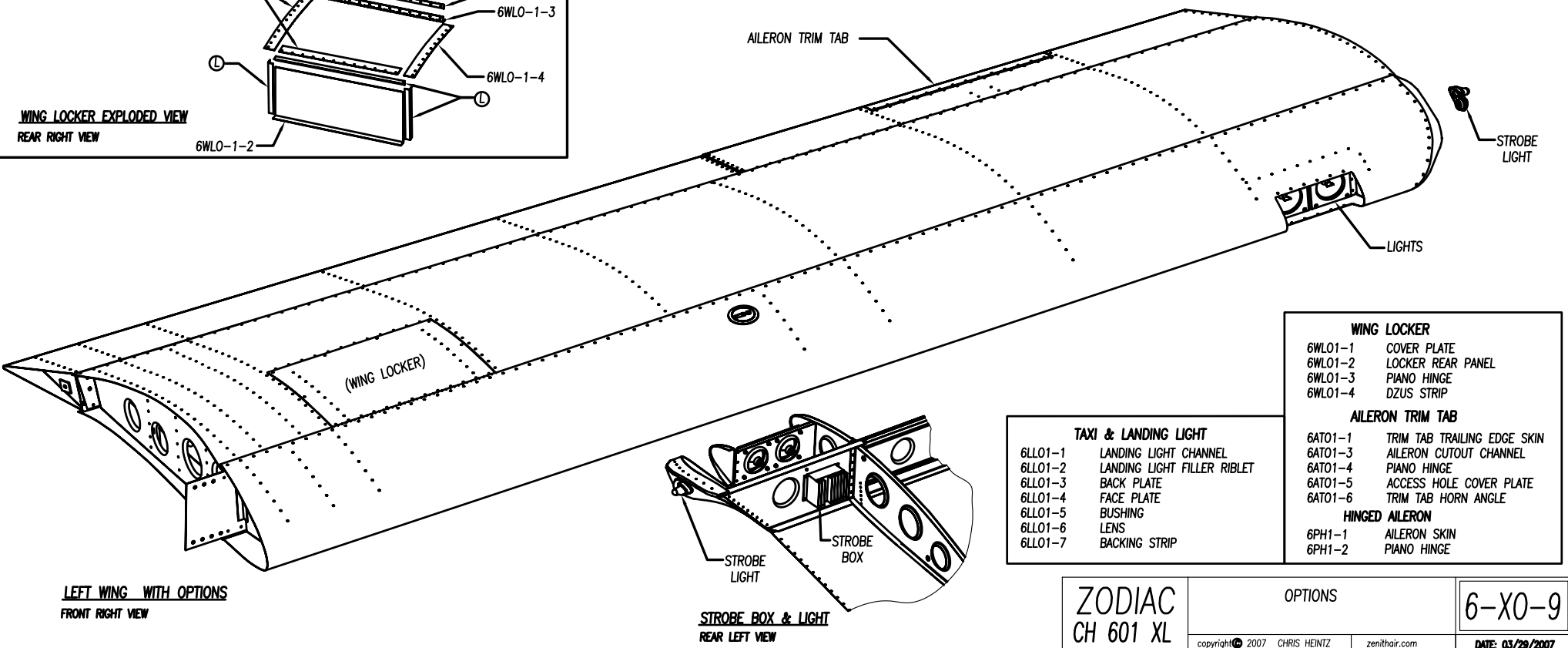
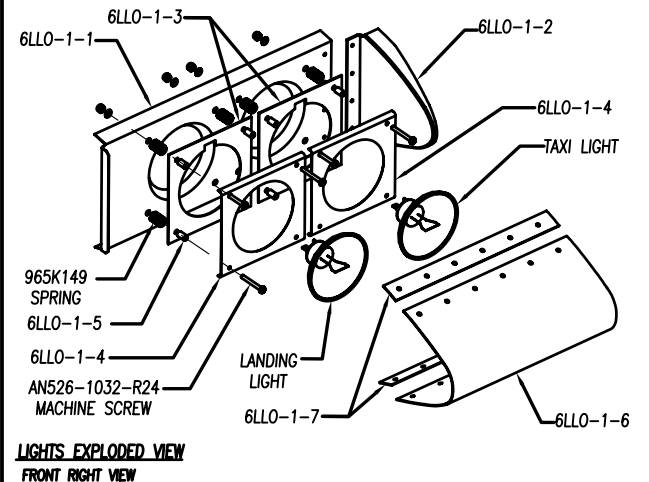
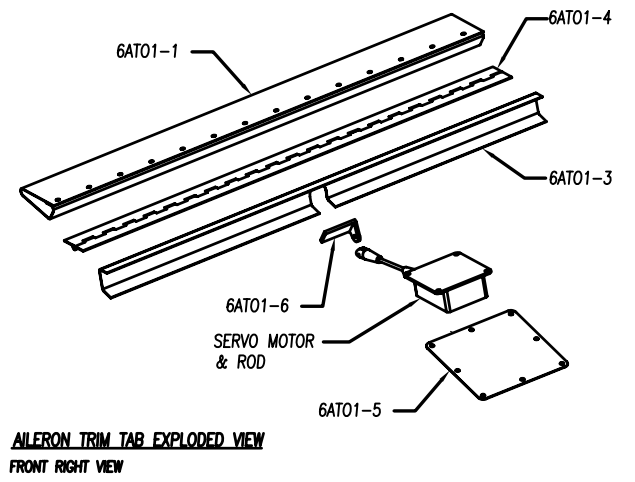
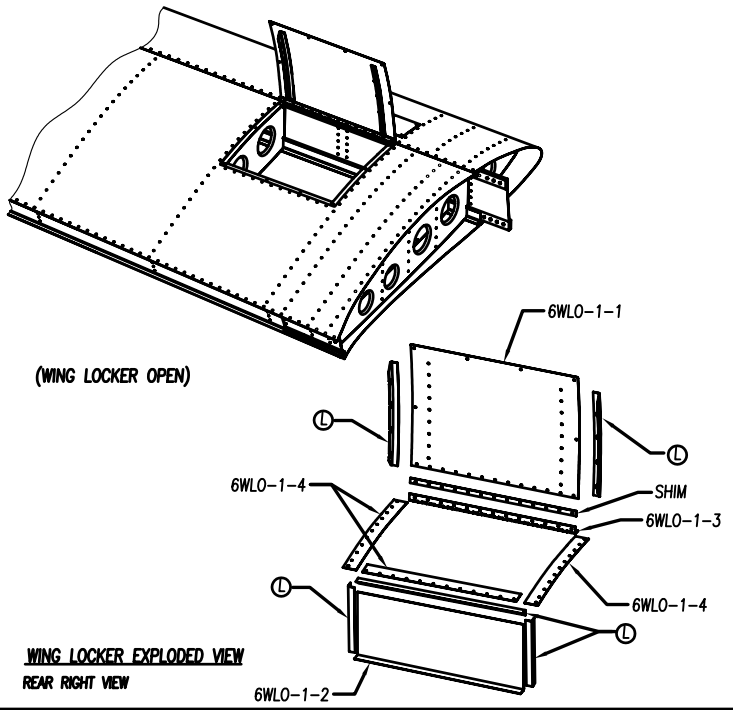
FUEL LINE SYSTEM

PARTS: 6K2

6-XK-8

copyright © 2007 CHRIS HEINTZ zenithair.com

DATE: 03/29/2007

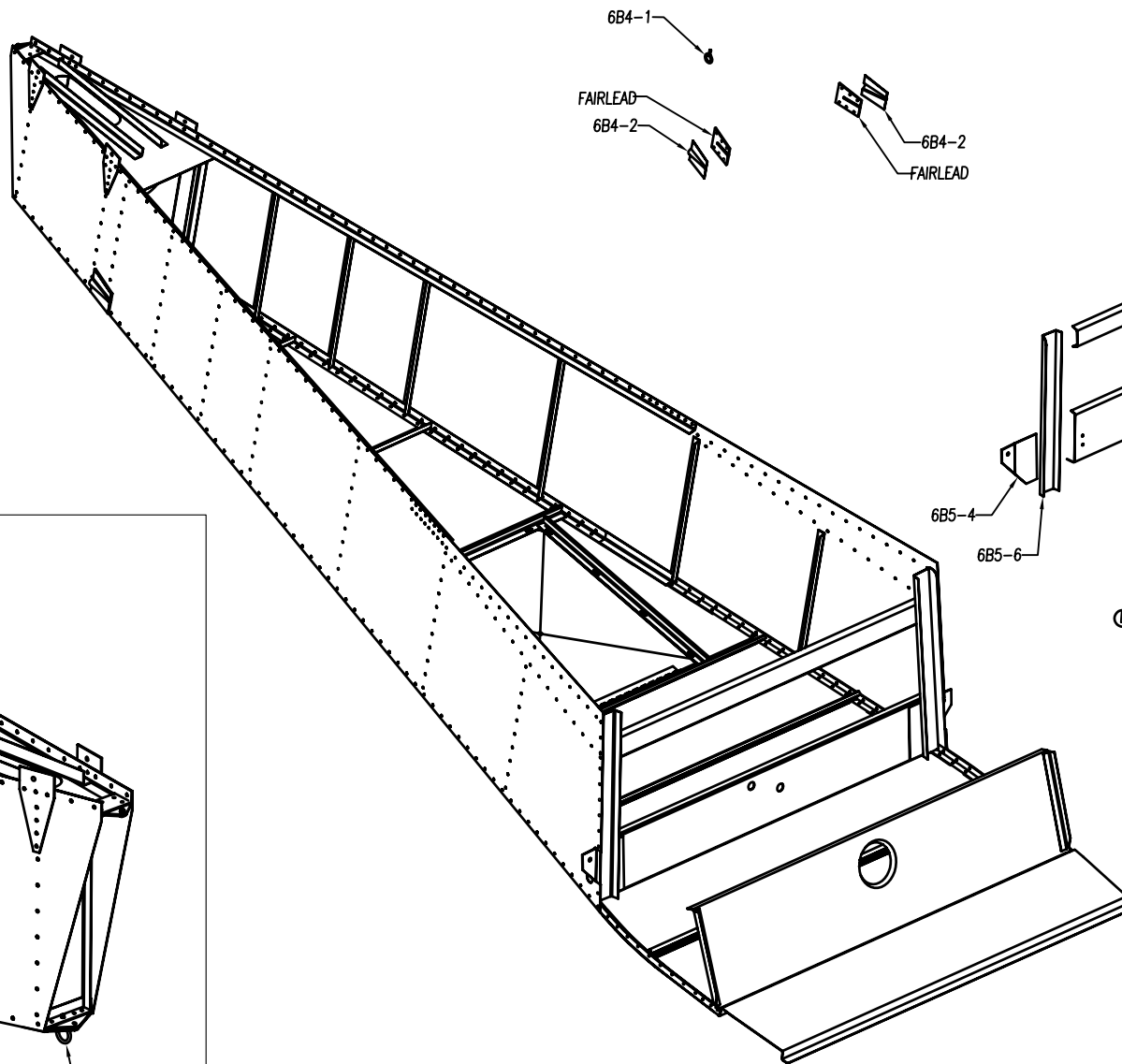


TAXI & LANDING LIGHT	
6LLO1-1	LANDING LIGHT CHANNEL
6LLO1-2	LANDING LIGHT FILLER RIBLET
6LLO1-3	BACK PLATE
6LLO1-4	FACE PLATE
6LLO1-5	BUSHING
6LLO1-6	LENS
6LLO1-7	BACKING STRIP

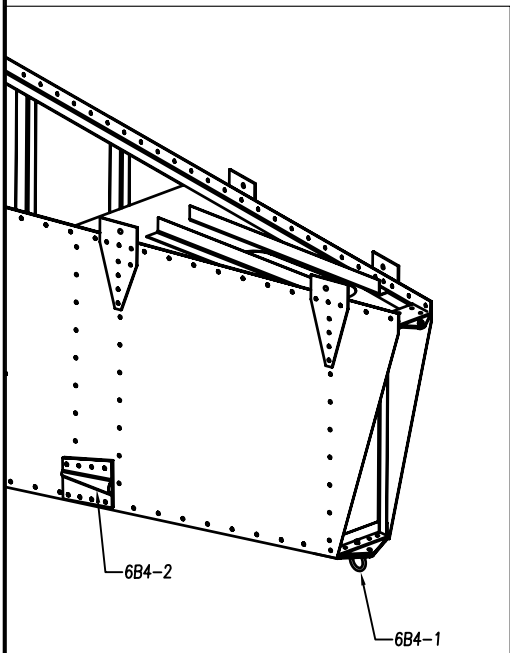
WING LOCKER	
6WLO1-1	COVER PLATE
6WLO1-2	LOCKER REAR PANEL
6WLO1-3	PIANO HINGE
6WLO1-4	DZUS STRIP
AILERON TRIM TAB	
6ATO1-1	TRIM TAB TRAILING EDGE SKIN
6ATO1-3	AILERON CUTOUT CHANNEL
6ATO1-4	PIANO HINGE
6ATO1-5	ACCESS HOLE COVER PLATE
6ATO1-6	TRIM TAB HORN ANGLE
HINGED AILERON	
6PH1-1	AILERON SKIN
6PH1-2	PIANO HINGE

ZODIAC CH 601 XL	OPTIONS	6-X0-9
	copyright © 2007 CHRIS HEINTZ zenithair.com	

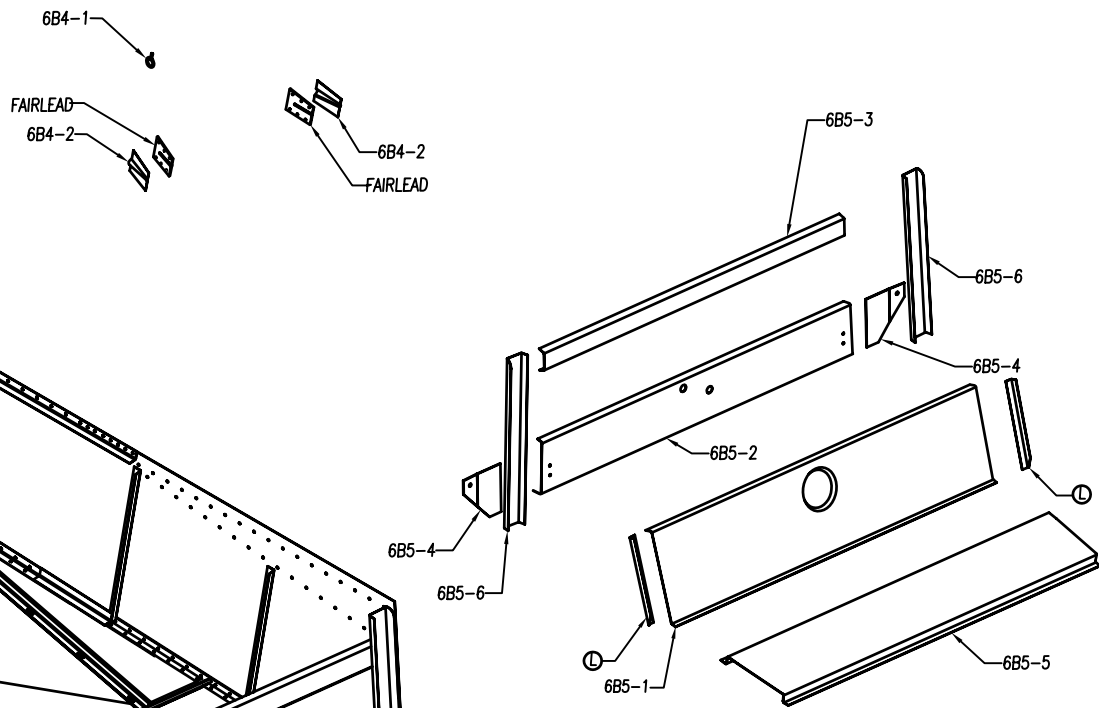




**REAR FUSELAGE ASSEMBLY**  
FRONT RIGHT VIEW



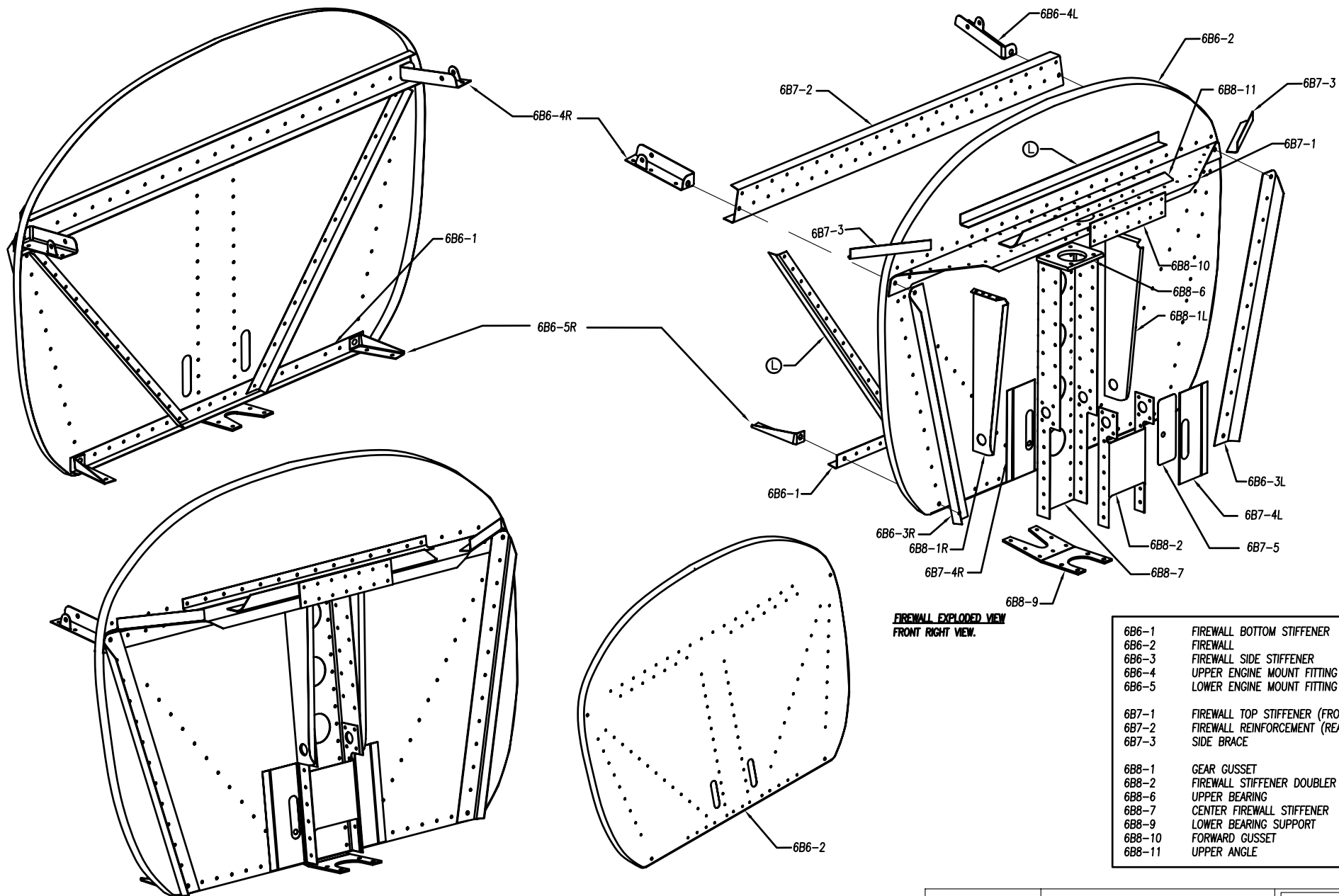
**REAR END FUSELAGE ASSEMBLY**  
REAR LEFT VIEW



- |       |                      |
|-------|----------------------|
| 6B4-1 | TIEDOWN RING         |
| 6B4-2 | CABLE OUTLET FAIRING |
| 6B5-1 | REAR SEAT PANEL      |
| 6B5-2 | REAR FRAME CHANNEL   |
| 6B5-3 | UPPER CHANNEL        |
| 6B5-4 | ATTACH PLATE         |
| 6B5-5 | GEAR CHANNEL         |
| 6B5-6 | UPRIGHT CHANNEL      |

**ZODIAC**  
CH 601 XL

<b>REAR FUSELAGE</b> PARTS: 6B4 to 6B5	<b>6-XB-12</b>
copyright © 2007 CHRIS HEINTZ zenithair.com	DATE: 03/29/2007



**FIREWALL ASSEMBLY**  
FRONT RIGHT VIEW

**PREDRILLED FIREWALL**  
FRONT RIGHT VIEW.

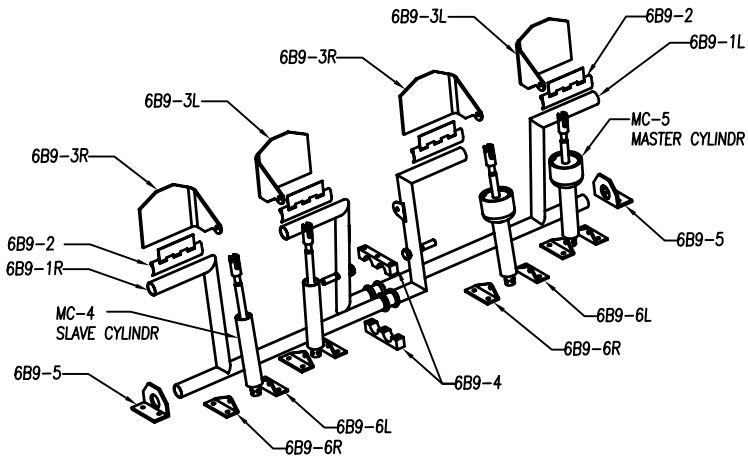
**FIREWALL EXPLODED VIEW**  
FRONT RIGHT VIEW.

6B6-1	FIREWALL BOTTOM STIFFENER
6B6-2	FIREWALL
6B6-3	FIREWALL SIDE STIFFENER
6B6-4	UPPER ENGINE MOUNT FITTING
6B6-5	LOWER ENGINE MOUNT FITTING
6B7-1	FIREWALL TOP STIFFENER (FRONT)
6B7-2	FIREWALL REINFORCEMENT (REAR)
6B7-3	SIDE BRACE
6B8-1	GEAR GUSSET
6B8-2	FIREWALL STIFFENER DOUBLER
6B8-6	UPPER BEARING
6B8-7	CENTER FIREWALL STIFFENER
6B8-9	LOWER BEARING SUPPORT
6B8-10	FORWARD GUSSET
6B8-11	UPPER ANGLE

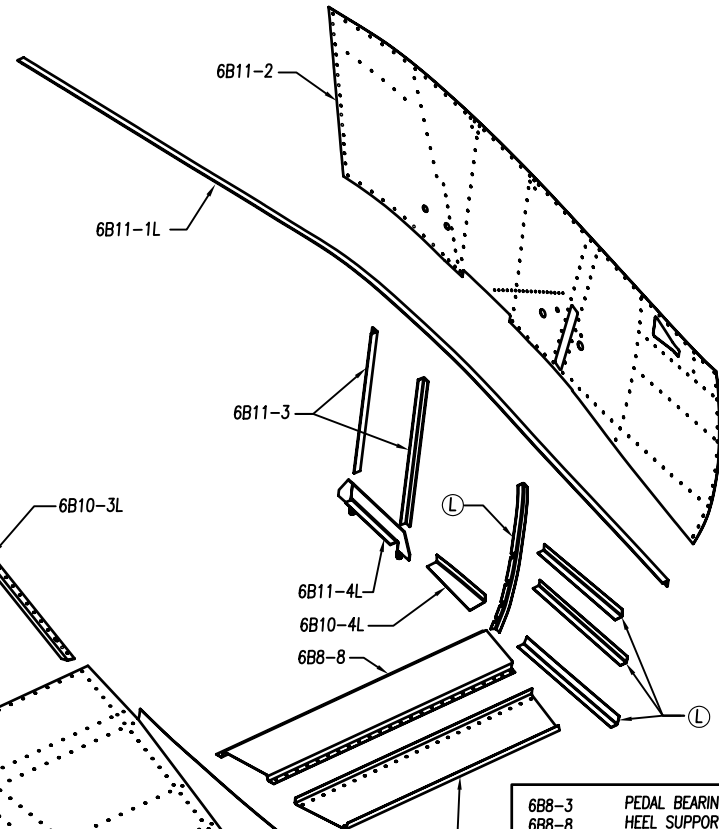
**ZODIAC**  
CH 601 XL

**FIREWALL**  
PARTS: 6B6 to 6B8

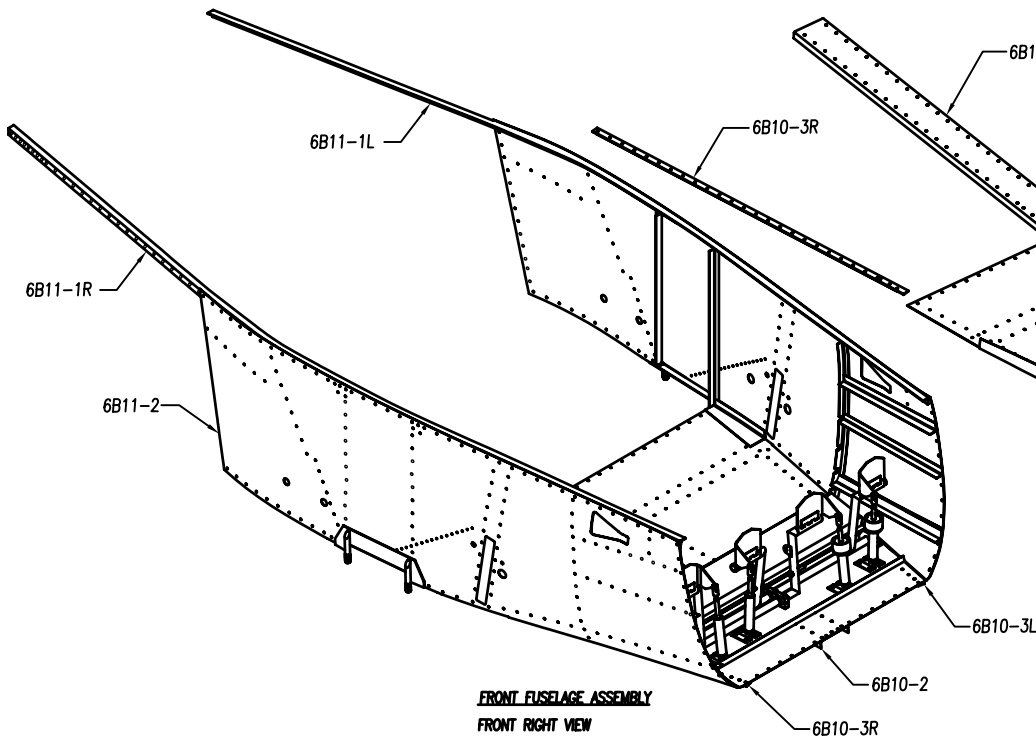
**6-XB-13**



**FRONT FUSELAGE ASSEMBLY**  
FRONT RIGHT VIEW



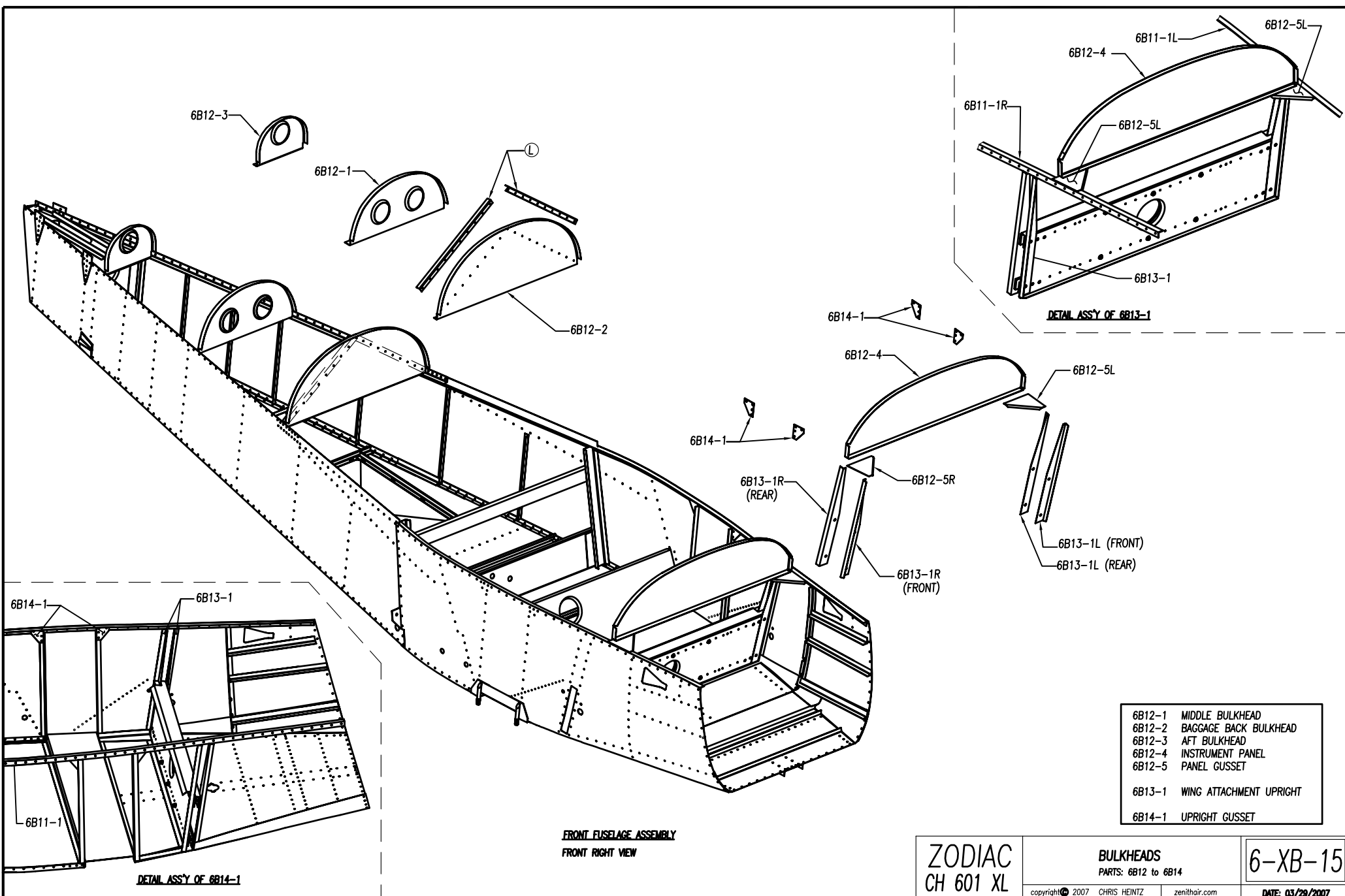
**FRONT FUSELAGE EXPLODED VIEW**  
FRONT RIGHT VIEW



**FRONT FUSELAGE ASSEMBLY**  
FRONT RIGHT VIEW

6B8-3	PEDAL BEARING CHANNEL
6B8-8	HEEL SUPPORT
6B9-1	RUDDER PEDALS
6B9-2	S.S. PIANO HINGE
6B9-3	TOE BRAKE PEDALS
6B9-4	CENTER PEDAL BEARING
6B9-5	LATERAL PEDAL BEARING
6B9-6	BRAKE CYLINDER SUPPORTS
6B10-1	CABIN FLOOR
6B10-2	FLOOR STIFFENER
6B10-3	LOWER FRONT LONGERON
6B10-4	GUSSET
6B11-1	UPPER FRONT LONGERON
6B11-2	FORWARD SIDE SKINS
6B11-3	GEAR UPRIGHT
6B11-4	MAIN GEAR ATTACHMENT

<b>ZODIAC</b> CH 601 XL	<b>CABIN FLOOR AND SIDES</b> PARTS: 6B9 to 6B11	<b>6-XB-14</b>
	<small>copyright © 2007 CHRIS HEINTZ    zenithair.com</small>	

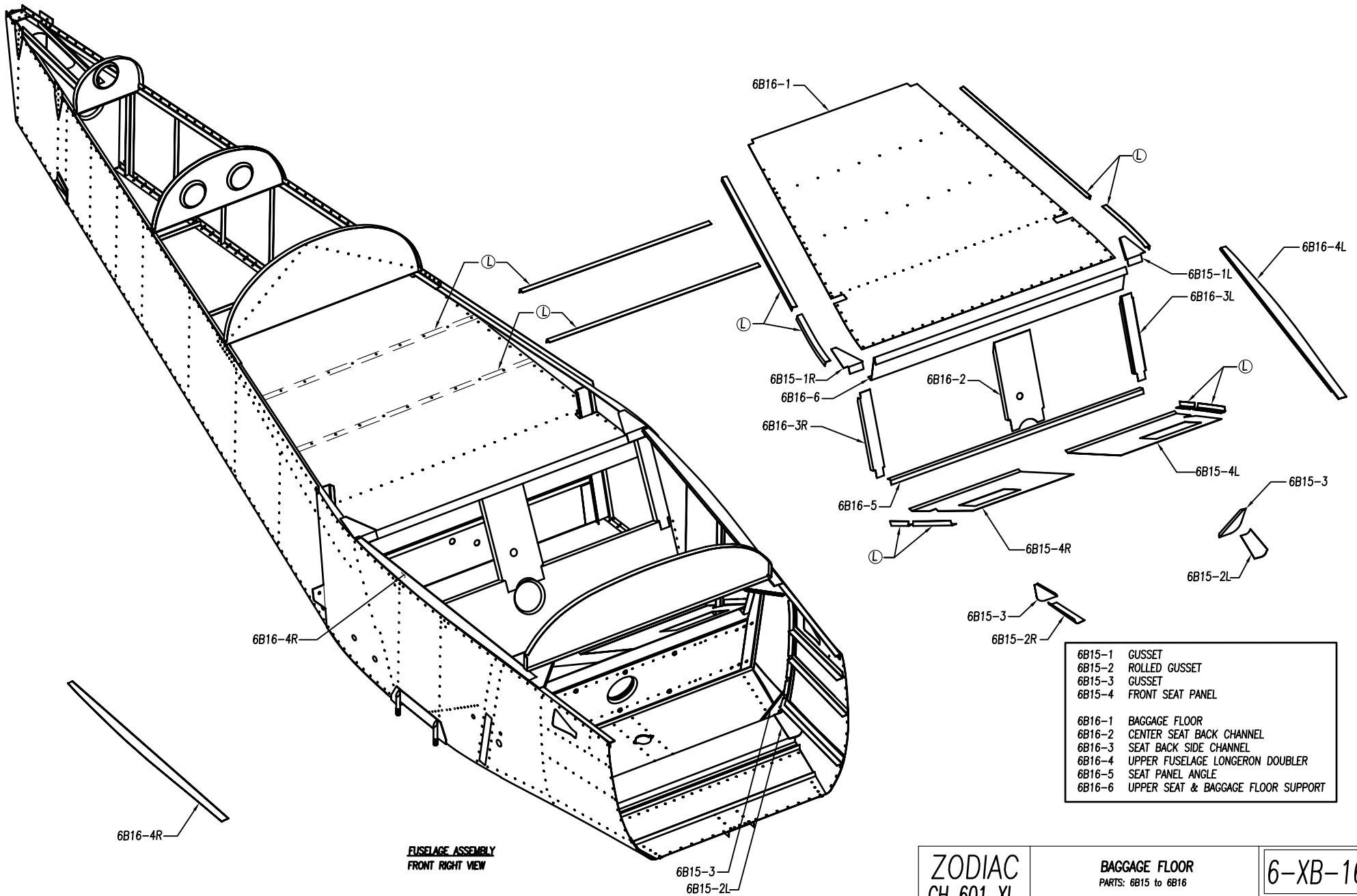


- 6B12-1 MIDDLE BULKHEAD
- 6B12-2 BAGGAGE BACK BULKHEAD
- 6B12-3 AFT BULKHEAD
- 6B12-4 INSTRUMENT PANEL
- 6B12-5 PANEL GUSSET
- 6B13-1 WING ATTACHMENT UPRIGHT
- 6B14-1 UPRIGHT GUSSET

FRONT FUSELAGE ASSEMBLY  
FRONT RIGHT VIEW

DETAIL ASSY OF 6B14-1

<b>ZODIAC</b> CH 601 XL	<b>BULKHEADS</b> PARTS: 6B12 to 6B14	6-XB-15
	copyright © 2007 CHRIS HEINTZ zenithair.com	DATE: 03/29/2007



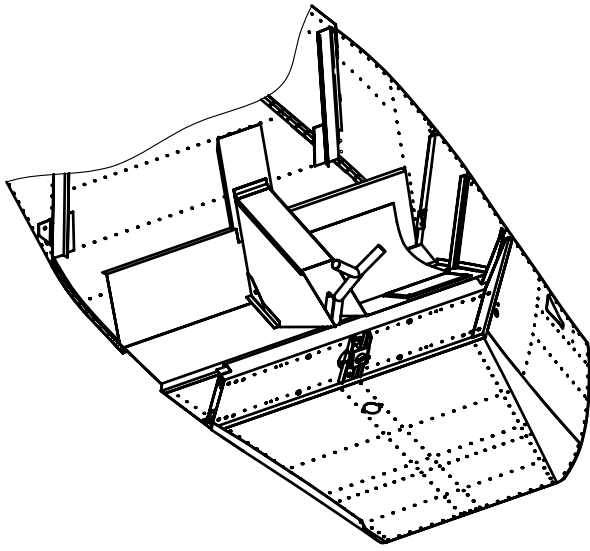
ZODIAC  
CH 601 XL

**BAGGAGE FLOOR**  
PARTS: 6B15 to 6B16

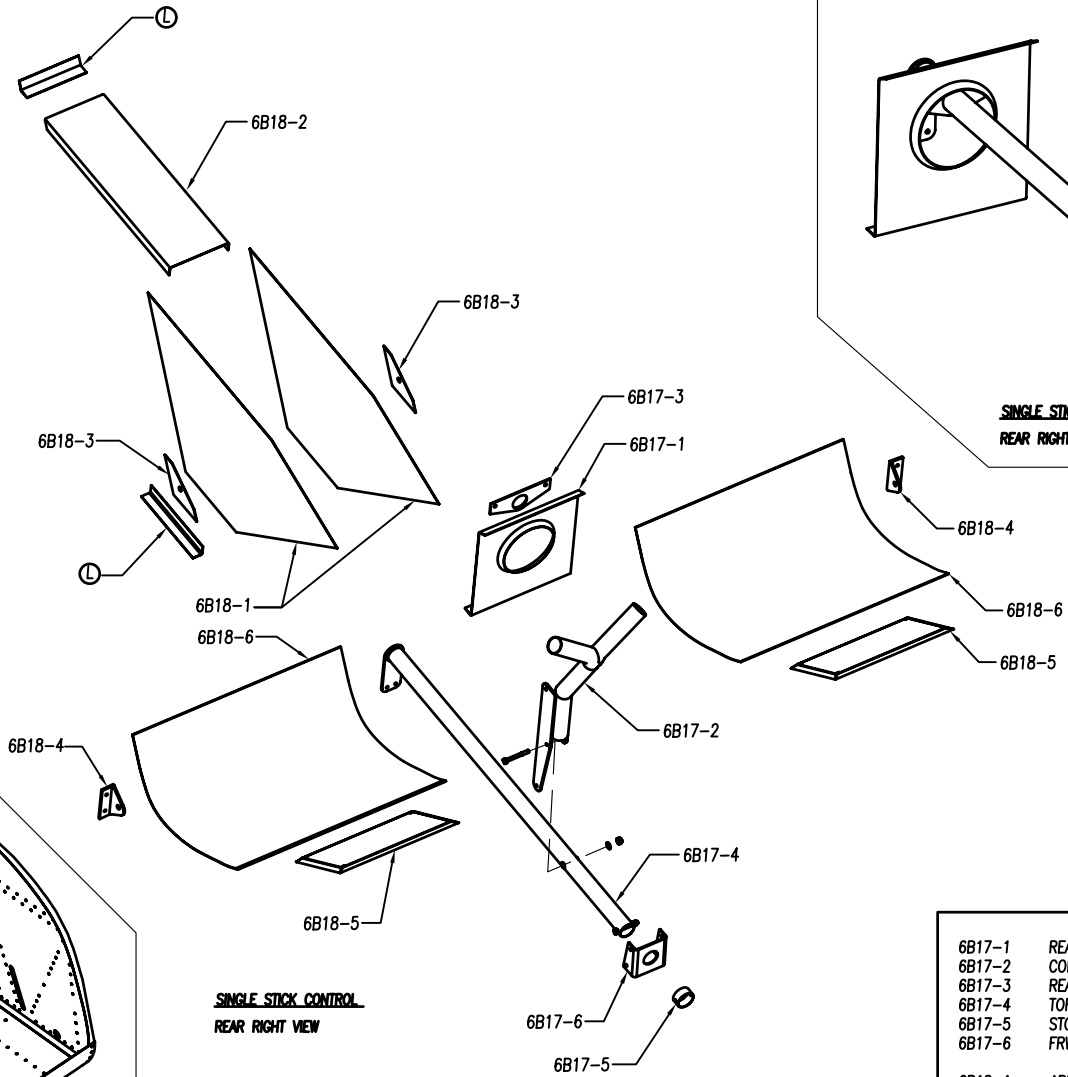
6-XB-16

copyright © 2007 CHRIS HEINTZ zenithair.com DATE: 03/29/2007

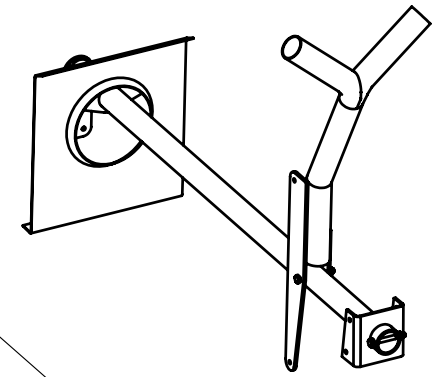




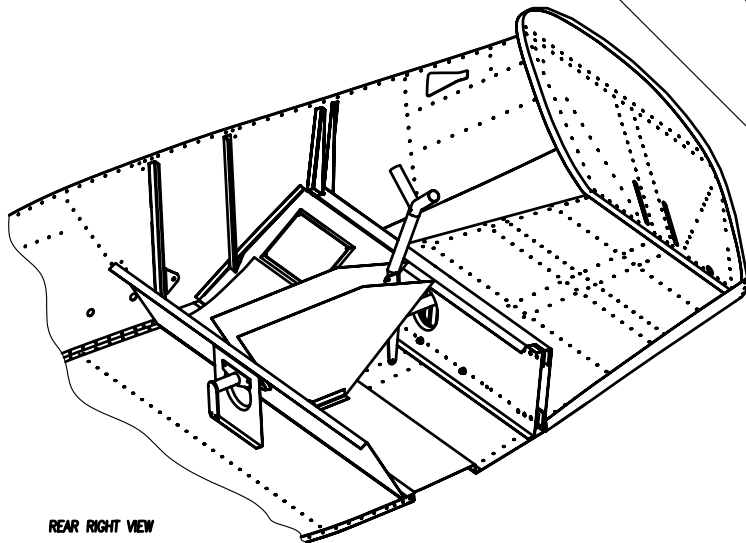
FRONT RIGHT VIEW



SINGLE STICK CONTROL  
REAR RIGHT VIEW



SINGLE STICK CONTROL  
REAR RIGHT VIEW



REAR RIGHT VIEW

6B17-1	REAR TORQUE TUBE BEARING SUPPORT
6B17-2	CONTROL COLUMN
6B17-3	REAR TORQUE TUBE BEARING
6B17-4	TORQUE TUBE
6B17-5	STOP RING
6B17-6	FRWD. TORQUE TUBE BEARING
6B18-1	ARM REST SIDE
6B18-2	ARM REST COVER
6B18-3	SEAT BELT ATTACHMENT DOUBLER PLATE
6B18-4	SEAT BELT ATTACHMENT
6B18-5	SPAR ACCESS COVER
6B18-6	SEAT BOTTOM

ZODIAC  
CH 601 XL

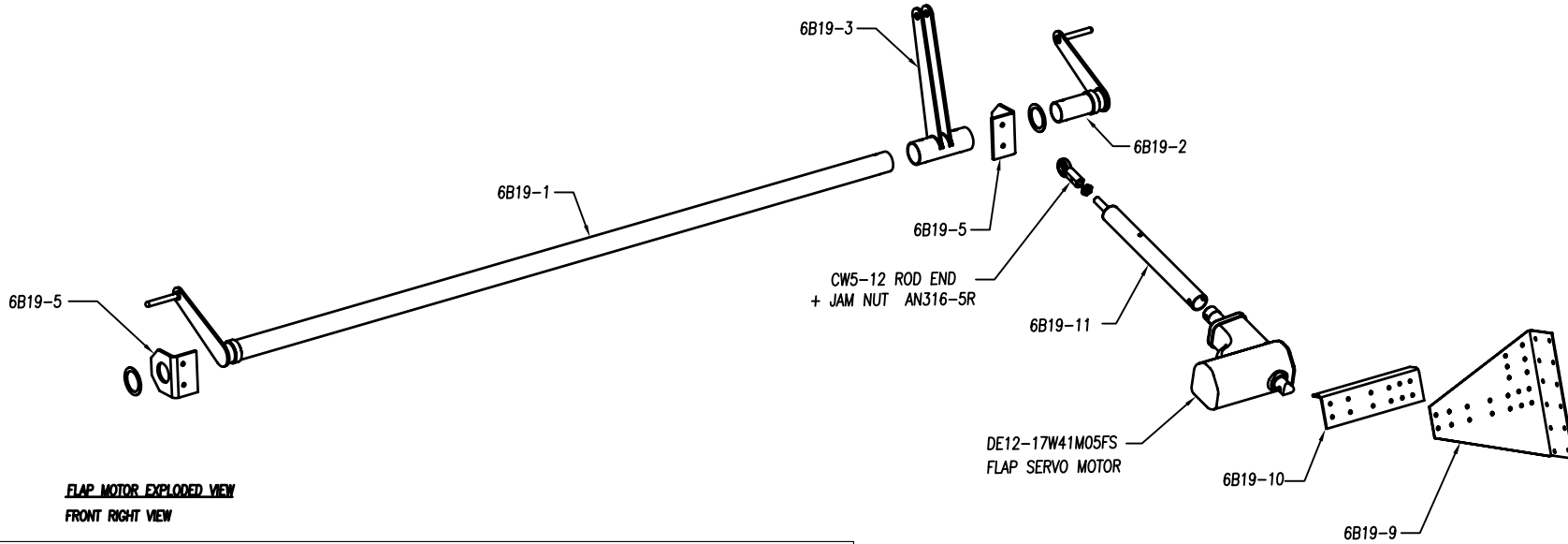
CONTROL COLUMN & COVERS  
PARTS: 6B17 to 6B18

6-XB-17

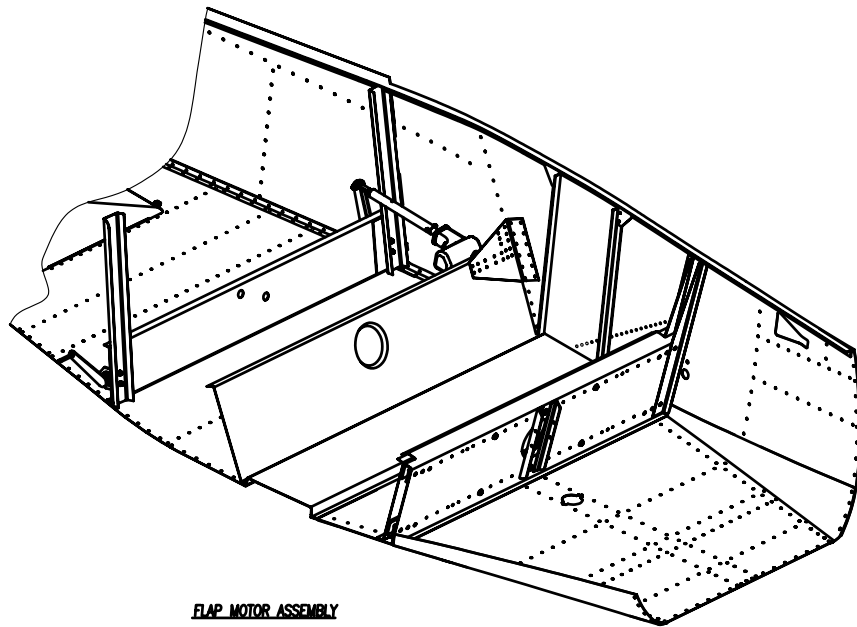
copyright © 2007 CHRIS HEINTZ

zenithair.com

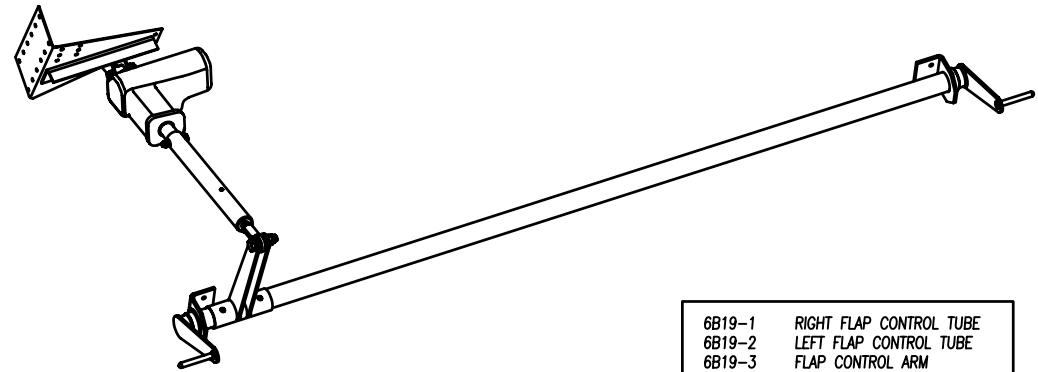
DATE: 03/29/2007



**FLAP MOTOR EXPLODED VIEW**  
FRONT RIGHT VIEW



**FLAP MOTOR ASSEMBLY**  
FRONT RIGHT VIEW



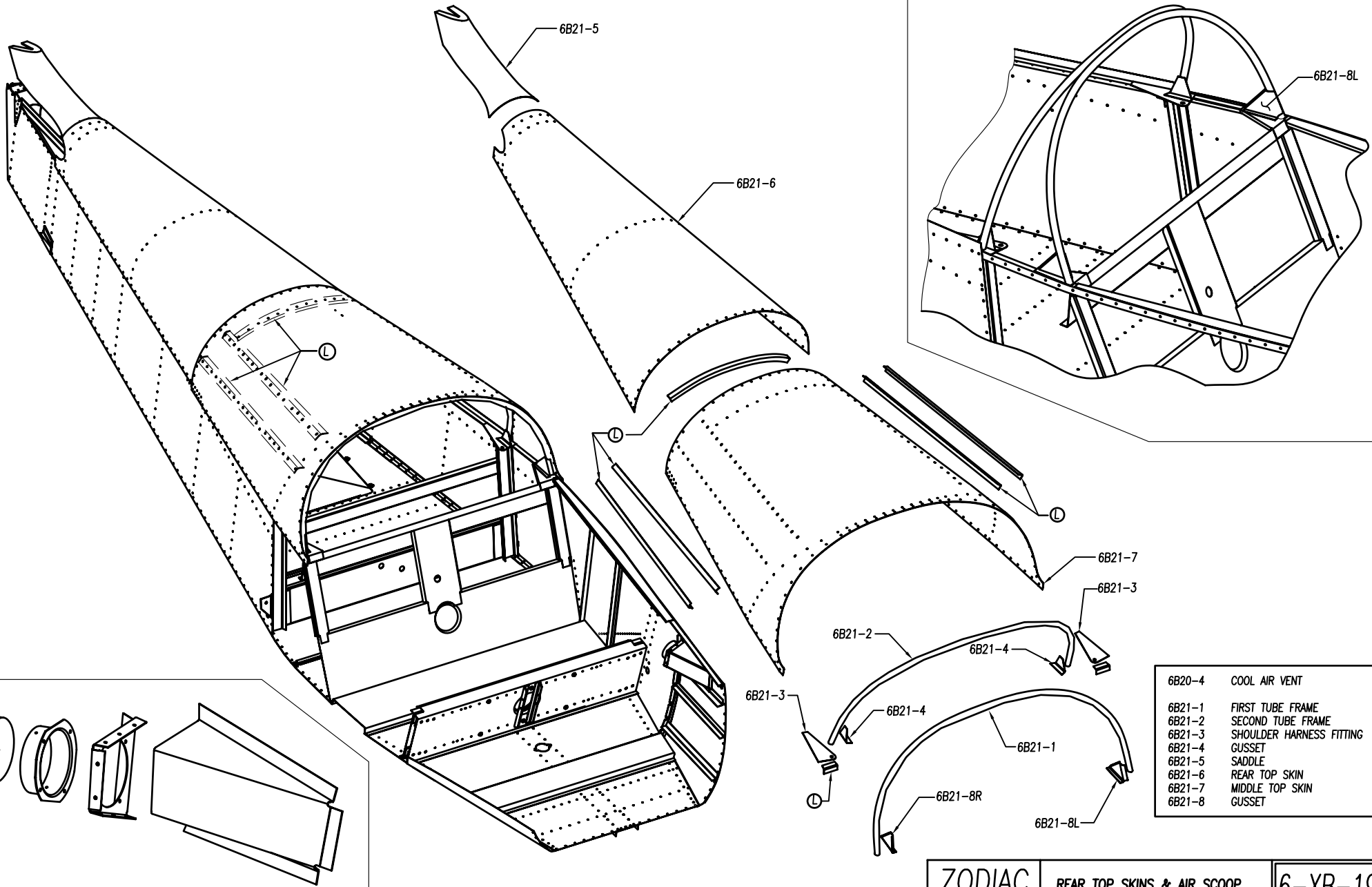
**FLAP MOTOR EXPLODED VIEW**  
REAR LEFT VIEW

- |         |                         |
|---------|-------------------------|
| 6B19-1  | RIGHT FLAP CONTROL TUBE |
| 6B19-2  | LEFT FLAP CONTROL TUBE  |
| 6B19-3  | FLAP CONTROL ARM        |
| 6B19-5  | FLAP CONTROL BEARING    |
| 6B19-9  | FLAP MOUNT GUSSET       |
| 6B19-10 | FLAP ACTUATOR MOUNT     |
| 6B19-11 | FLAP ACTUATOR ROD       |

**ZODIAC**  
CH 601 XL

**FLAP CONTROL**  
PARTS: 6B19 & 6N24

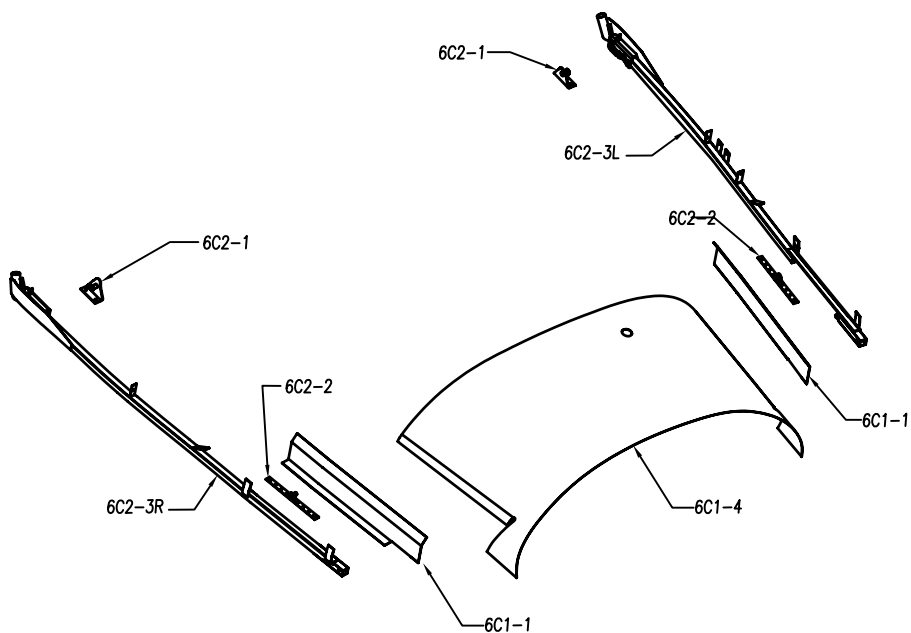
**6-XB-18**



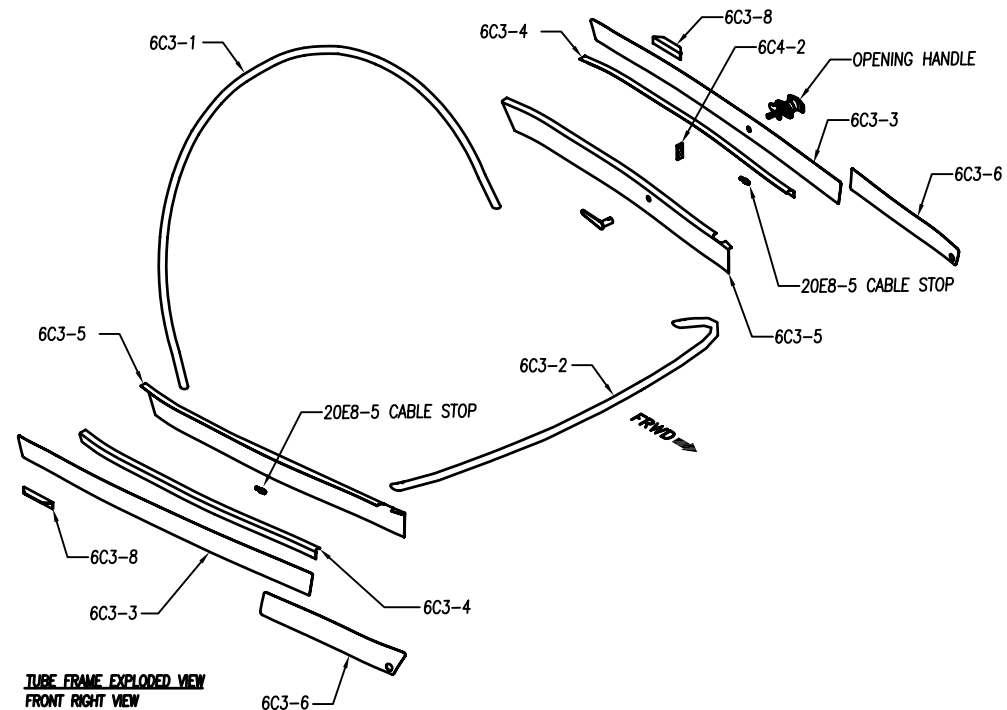
- |        |                          |
|--------|--------------------------|
| 6B20-4 | COOL AIR VENT            |
| 6B21-1 | FIRST TUBE FRAME         |
| 6B21-2 | SECOND TUBE FRAME        |
| 6B21-3 | SHOULDER HARNESS FITTING |
| 6B21-4 | GUSSET                   |
| 6B21-5 | SADDLE                   |
| 6B21-6 | REAR TOP SKIN            |
| 6B21-7 | MIDDLE TOP SKIN          |
| 6B21-8 | GUSSET                   |

6B20-4 AIR SCOOP

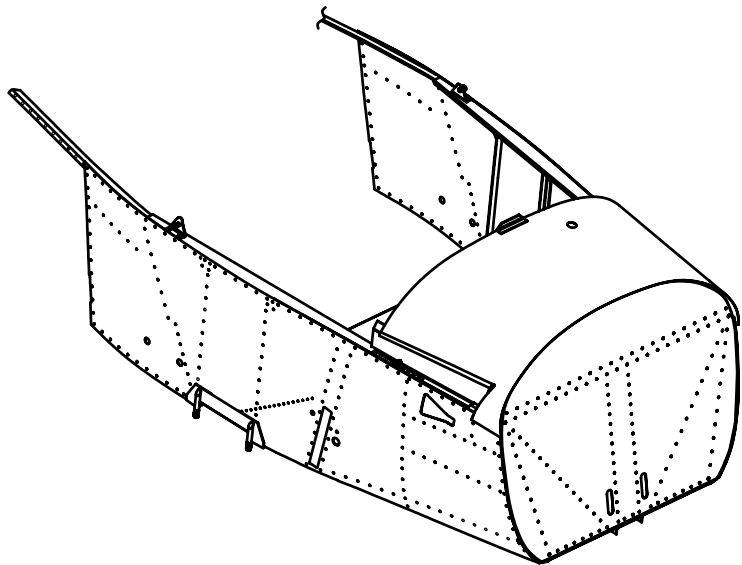
<b>ZODIAC</b> CH 601 XL	<b>REAR TOP SKINS &amp; AIR SCOOP</b>	<b>6-XB-19</b>
	PARTS: 6B19 to 6B21	



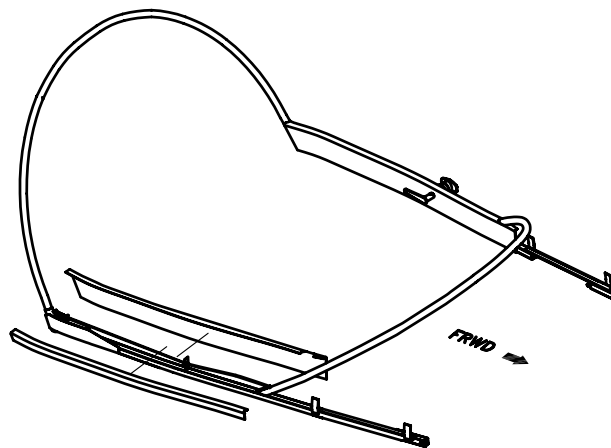
**CANOPY HINGE EXPLODED VIEW  
FRONT RIGHT VIEW**



**TUBE FRAME EXPLODED VIEW  
FRONT RIGHT VIEW**



**CANOPY TUBE FRAME  
REAR RIGHT VIEW**

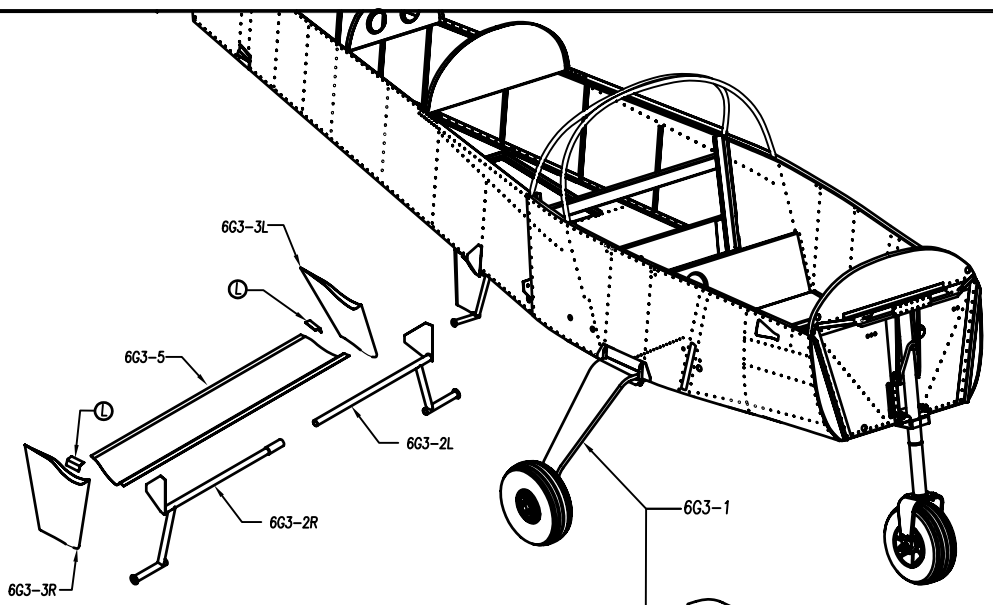


6C1-1	PANEL SIDE ANGLE
6C1-4	FORWARD TOP SKIN
6C2-1	STRIKER STUD
6C2-2	BOTTOM BRACKET
6C2-3	CANOPY SIDE FRAME W/LATCH
6C3-1	REAR CANOPY FRAME
6C3-2	FRONT CANOPY FRAME
6C3-3	OUTSIDE FLASHING
6C3-4	INSIDE ANGLE
6C3-5	INSIDE FLASHING
6C3-6	SIDE COVER
6C3-8	EXTRUSION HANDLE
6C4-2	CANOPY CABLE SUPPORT FAIRLEAD

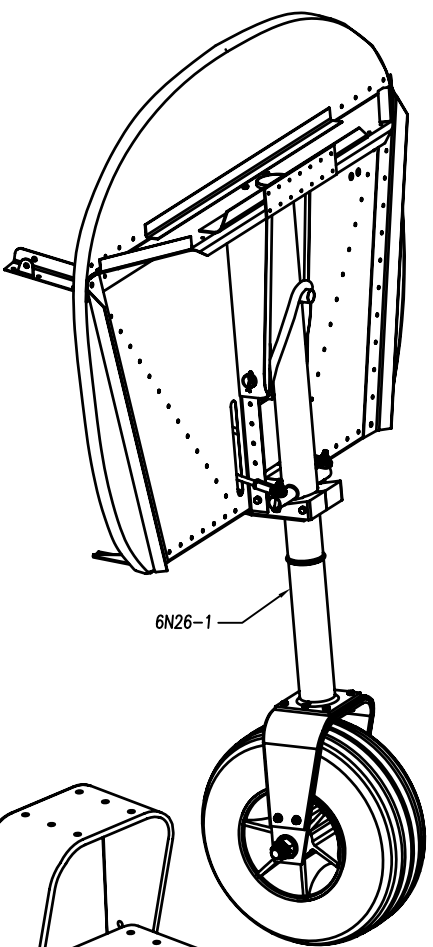
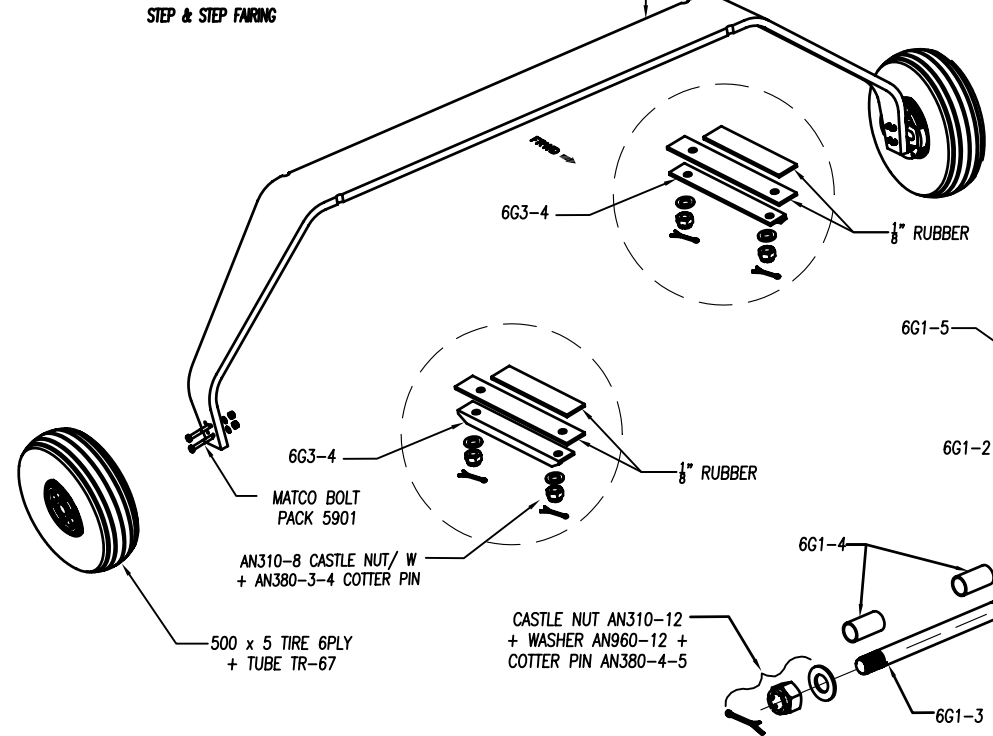
**ZODIAC  
CH 601 XL**

**FORWARD CANOPY HINGE  
PARTS: 6C1 to 6C2**

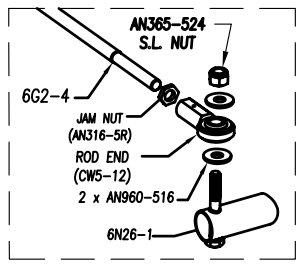
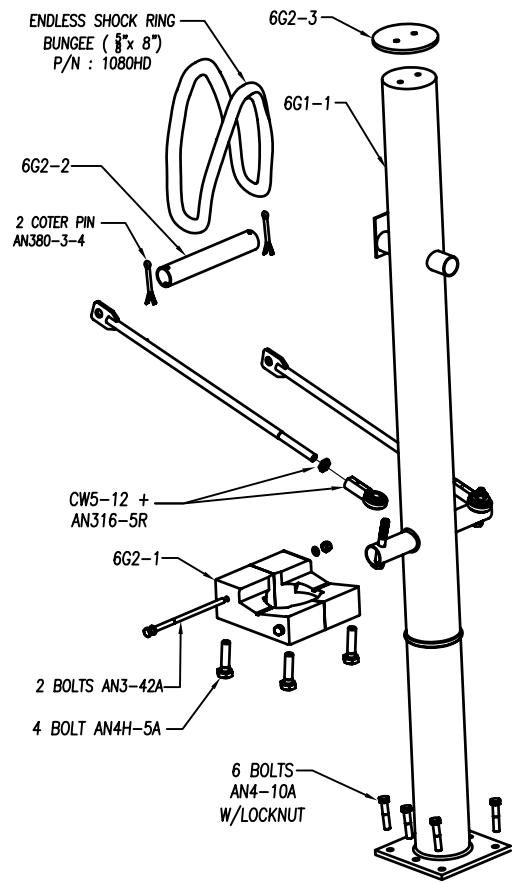
**6-XC-21**



STEP & STEP FAIRING



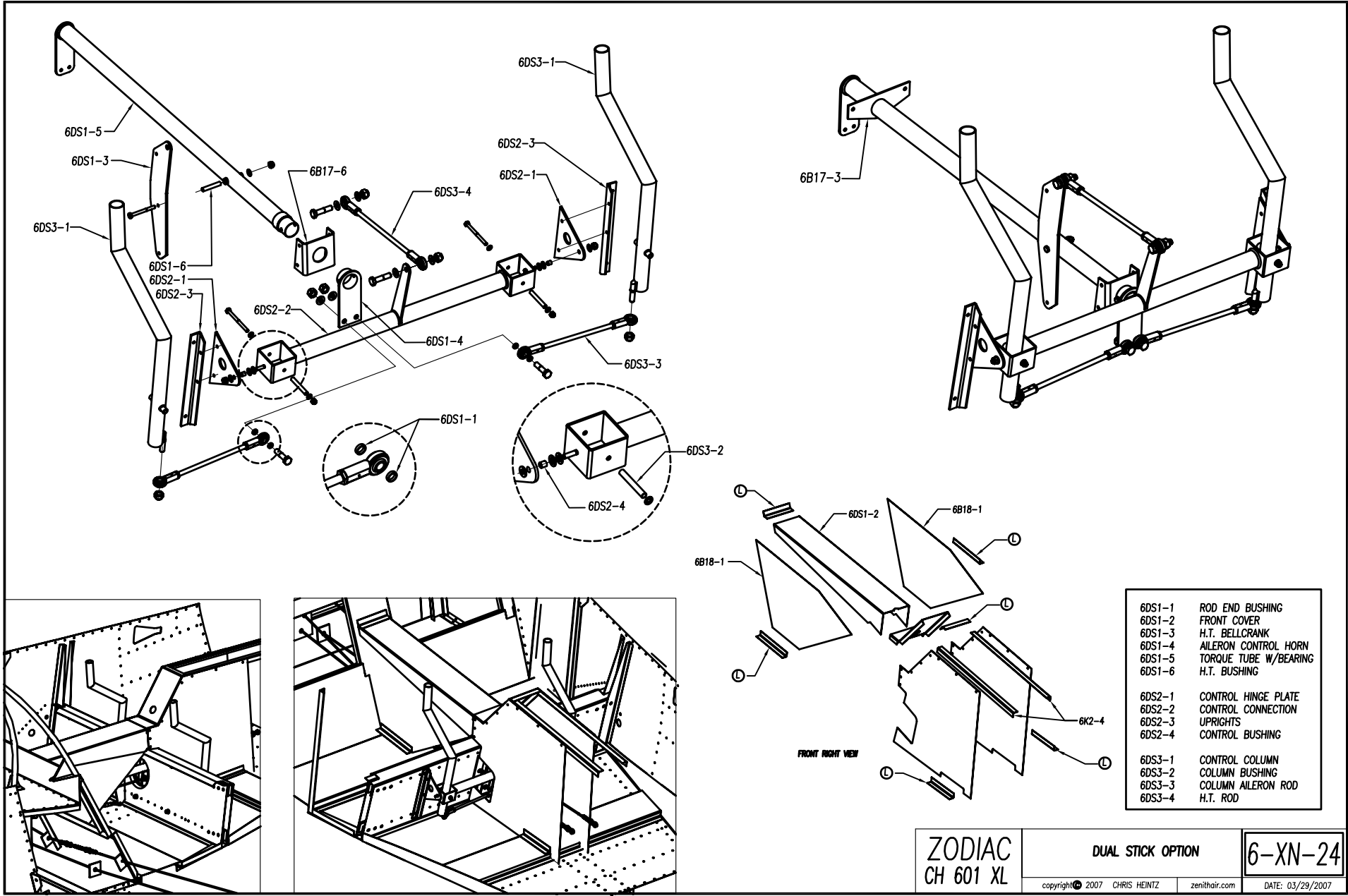
NOSE GEAR ASSY & EXPLODED VIEW FRONT RIGHT VIEW



STEERING ROD

6G1-1	NOSE GEAR LEG
6G1-2	WHEEL FORK
6G1-3	NOSE WHEEL AXLE
6G1-4	AXLE SPACER
6G1-5	FORK DOUBLER
6G2-1	NOSE GEAR BOTTOM BEARING PIN
6G2-2	STOP PLATE
6G2-3	STEERING ROD
6G2-4	
6G3-1	SPRING GEAR
6G3-2	CABIN ACCESS STEP
6G3-3	STEP FAIRING
6G3-4	MAIN GEAR SUPPORT
6G3-5	FUSELAGE STEP FAIRING

<b>ZODIAC</b> CH 601 XL	<b>MAIN LANDING &amp; NOSE GEAR</b> PARTS: 6G1 to 6G3	<b>6-XG-23</b>
	<small>copyright © 2007 CHRIS HEINTZ zenithair.com</small>	



6DS1-1	ROD END BUSHING
6DS1-2	FRONT COVER
6DS1-3	H.T. BELLCRANK
6DS1-4	AILERON CONTROL HORN
6DS1-5	TORQUE TUBE W/BEARING
6DS1-6	H.T. BUSHING
6DS2-1	CONTROL HINGE PLATE
6DS2-2	CONTROL CONNECTION
6DS2-3	UPRIGHTS
6DS2-4	CONTROL BUSHING
6DS3-1	CONTROL COLUMN
6DS3-2	COLUMN BUSHING
6DS3-3	COLUMN AILERON ROD
6DS3-4	H.T. ROD

ZODIAC  
CH 601 XL

DUAL STICK OPTION

6-XN-24